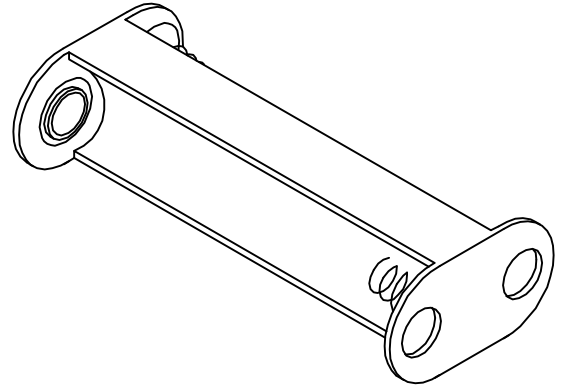
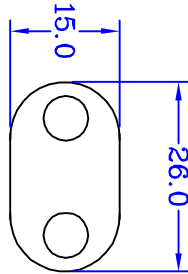
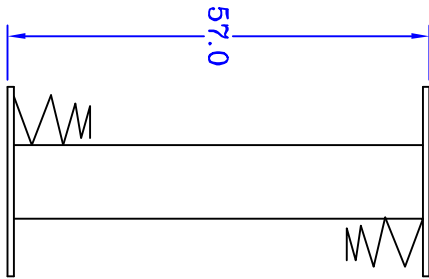


# ORDERING INFORMATION



Series	1	2	3
<input type="text"/>	<input type="text"/>	<input type="text"/>	<input type="text"/>

Series

BH : Battery Holder

1. Battery Type

3 : UM3(AA)

4 : UM4 (AAA)

2. Battery Quantity

2 : Battery x 2 Pcs

4 : Battery x 4 Pcs

3. Holder Type

A : Standard

---

**EXAMPLE :** BH - 3 2 A

Battery Holder

UM3(AA) Battery x 2

**Mbrlinkom Technology Ltd.**