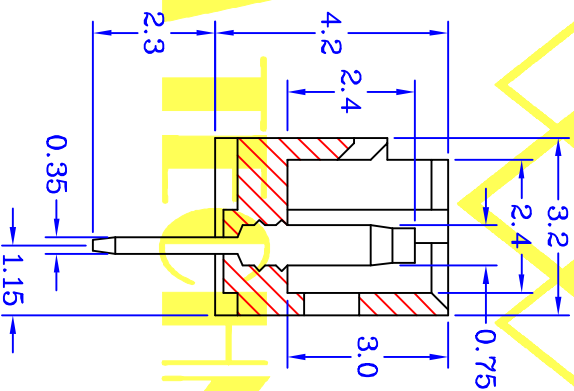
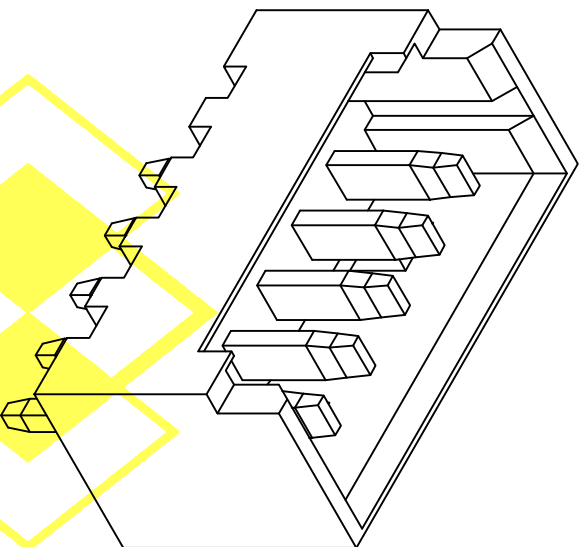
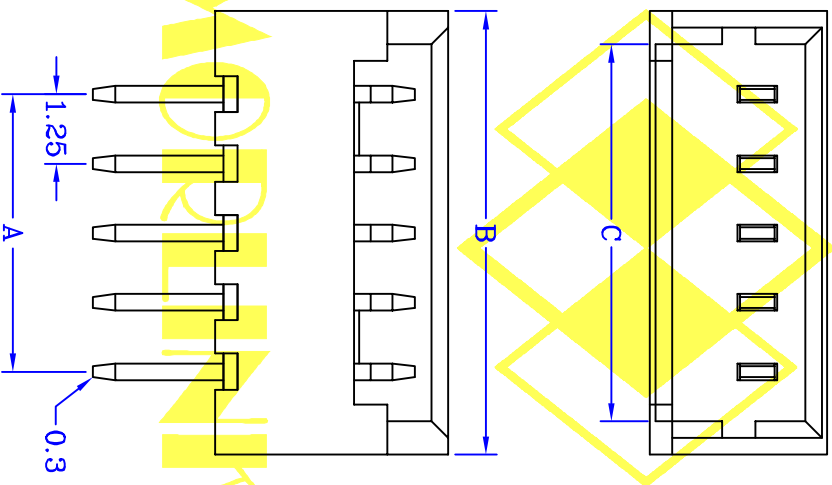


PCB LAYOUT



SPECIFICATIONS

ELECTRICAL

- Contact Current Rating : 1 Ampere AC/DC
- Contact Resistance : 20 mΩ Max
- Insulator Resistance : 100 MΩ Min
- Dielectric Withstanding Voltage : 250V AC RMS 60 Seconds
- Voltage Rating : 125V AC/DC

MATERIAL

- Insulator : Nylon 66 UL94V-0
 - Contact : Brass
 - Contact Plated : Tin Plated
- Operation Temperature : - 40°C to + 85°C

CONTACTS	DIMENSIONS		
	A	B	C
2	1.25	4.25	3.05
3	2.50	5.50	4.30
4	3.75	6.75	5.55
5	5.00	8.00	6.80
6	6.25	9.25	8.05
7	7.50	10.50	9.30
8	8.75	11.75	10.55
9	10.00	13.00	11.80
10	11.25	14.25	13.05
11	12.50	15.50	14.30
12	13.75	16.75	15.55
13	15.00	18.00	16.80
14	16.25	19.25	18.05
15	17.50	20.50	19.30

UNIT: mm

CENTRONIC PRECISION ELECTRONIC COMPANY

三川精密電子有限公司

TEL:886-2-2686-8788

E-MAIL: Centron@tpts6.seed.net.tw

MORLINKOM TECHNOLOGY LTD

魔林科技有限公司

FAX:886-2-2686-0018

E-MAIL: Cen88888@gmail.com

繪圖 DRAWN BY

FUFU

日期 DATE

2011/03/31

核對 CHECKED BY

WENDY

比例 SCALE

1:1

PXWX01S1XTB4

圖號

700-XX-17

DRAWING NO.