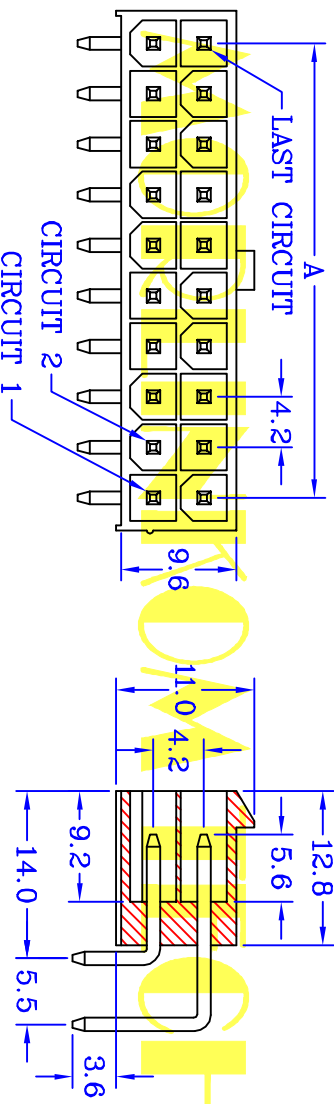
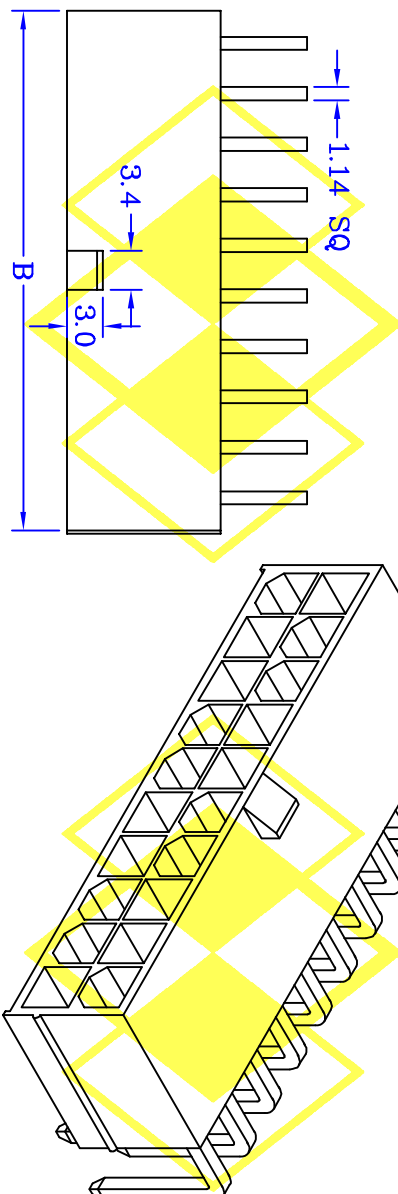


PCB LAYOUT



SPECIFICATIONS

ELECTRICAL

- Contact Current Rating : 7 Amperes AC/DC
- Contact Resistance : 20 mΩ Max
- Insulator Resistance : 1000 MΩ Min
- Dielectric Withstanding Voltage : 1,500V AC RMS 60 Seconds
- Voltage Rating : 250V AC/DC

MATERIAL

- Insulator : Nylon 66 UL94V-0
- Contact : Brass
- Contact Plated : Tin Plated
- Poles : 2 - 24

Operation Temperature : - 25°C to + 85°C

PXWH01R2XXTB4 CONTACTS	DIMENSIONS	
	A	B
02	4.20	5.60
04	8.40	9.80
06	12.60	14.00
08	16.80	18.20
10	21.00	22.40
12	25.20	26.60
14	29.40	30.80
16	33.60	35.00
18	37.80	39.20
20	42.00	43.40
22	46.20	47.60
24	50.40	51.80

UNIT: mm

CENTRONIC PRECISION ELECTRONIC COMPANY
 三川精密電子有限公司
 TEL:886-2-2686-8788
 E-MAIL: Centron@tppts6.seed.net.tw

MORLINKOM TECHNOLOGY LTD
 魔林科技有限公司
 FAX:886-2-2686-0018
 E-MAIL: Cen8888@gmail.com

繪圖 DRAWN BY FUFU
 核對 CHECKED BY WENDY
 日期 DATE 2011/03/31
 比例 SCALE 1:1

PXWH01R2XXTB4

圖號 718-2XX-R
 DRAWING NO.