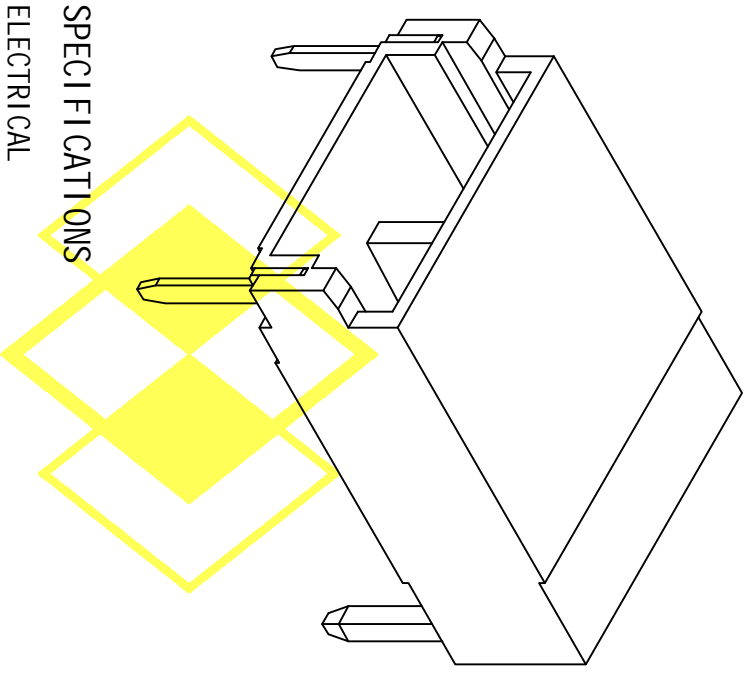


PCB LAYOUT



SPECIFICATIONS

ELECTRICAL

- Contact Current Rating : 1 Ampere AC/DC
- Contact Resistance : 20 mΩ Max
- Insulator Resistance : 1000 MΩ Min
- Dielectric Withstanding Voltage : 3800V AC RMS 60 Seconds
- Voltage Rating : 1400V AC/DC
- MATERIAL
- Insulator : Nylon 9T UL94V-0
- Contact : Phos. Bronze
- Contact Plated : Tin Plated
- Operation Temperature : - 25°C to + 85°C

UNIT : mm

CENTRONIC PRECISION ELECTRONIC COMPANY MORLINKOM TECHNOLOGY LTD
 三川精密電子有限公司 魔林科技有限公司
 TEL:886-2-2686-8788 FAX:866-2-2686-0018
 E-MAIL: Centron@ipts6.seed.net.tw E-MAIL: Cen8888@gmail.com

繪圖	DRAWN BY	日期	DATE	圖號	DRAWING NO.
核對	CHECKED BY	比例	SCALE		
FUFU	WENDY	1:1		701-02-3.5	