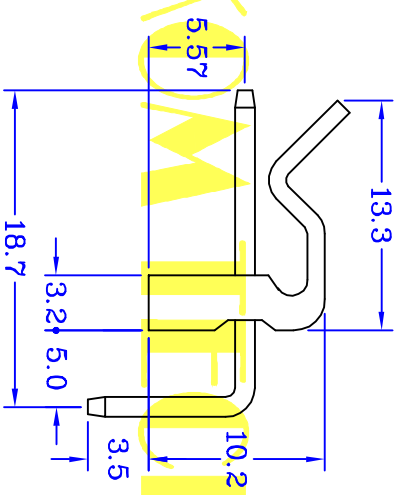
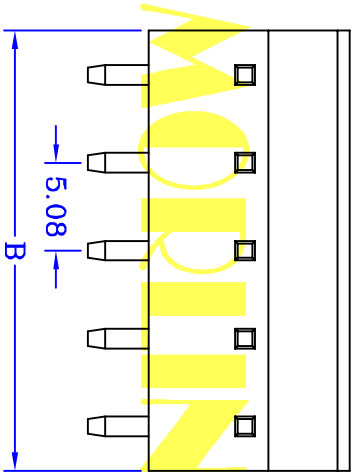
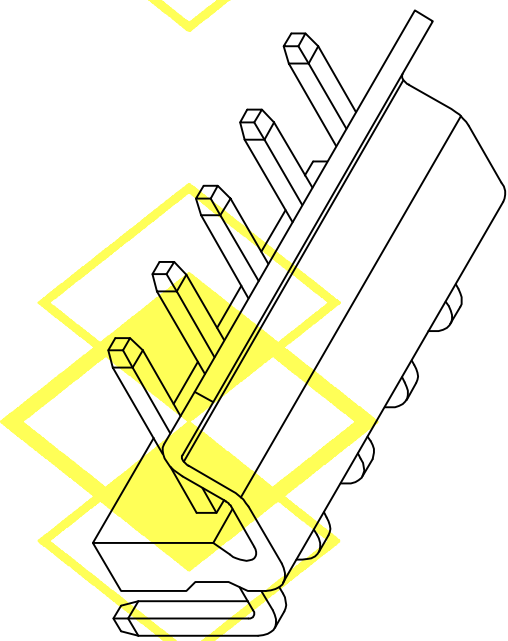
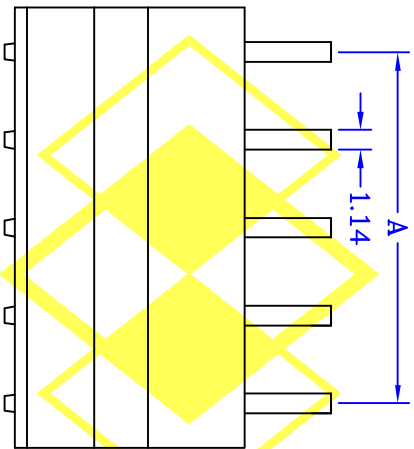


PCB LAYOUT



SPECIFICATIONS

ELECTRICAL

- Contact Current Rating : 7 Amperes AC/DC
- Contact Resistance : 20 mΩ Max
- Insulator Resistance : 1000 MΩ Min
- Dielectric Withstanding Voltage : 1,500V AC RMS 60 Seconds
- Voltage Rating : 250V AC/DC

MATERIAL

- Insulator : Nylon 66 UL94V-2
- Contact : Brass
- Contact Plated : Tin Plated
- Poles : 2 - 16

Operation Temperature : - 25°C to + 85°C

PXW01R1XTB4 CONTACTS	DIMENSIONS	
	A	B
02	5.08	10.22
03	10.16	15.30
04	15.24	20.38
05	20.32	25.46
06	25.40	30.54
07	30.48	35.62
08	35.56	40.70
09	40.64	45.78
10	45.72	50.86
11	50.80	55.94
12	55.88	61.02
13	60.96	66.10
14	66.04	71.18
15	71.12	76.26
16	76.20	81.34

UNIT : mm

CENTRONIC PRECISION ELECTRONIC COMPANY

三川精密電子有限公司

TEL:886-2-2686-8788

E-MAIL: Centron@tppts6.seed.net.tw

MORLINKOM TECHNOLOGY LTD

魔林科技有限公司

FAX:886-2-2686-0018

E-MAIL: Cen88888@gmail.com

繪圖 DRAWN BY

FUFU

核對 CHECKED BY

WENDY

日期 DATE

2011/03/31

比例 SCALE

1:1

PXW01R1XTB4

圖號

701-XX-J

DRAWING NO.