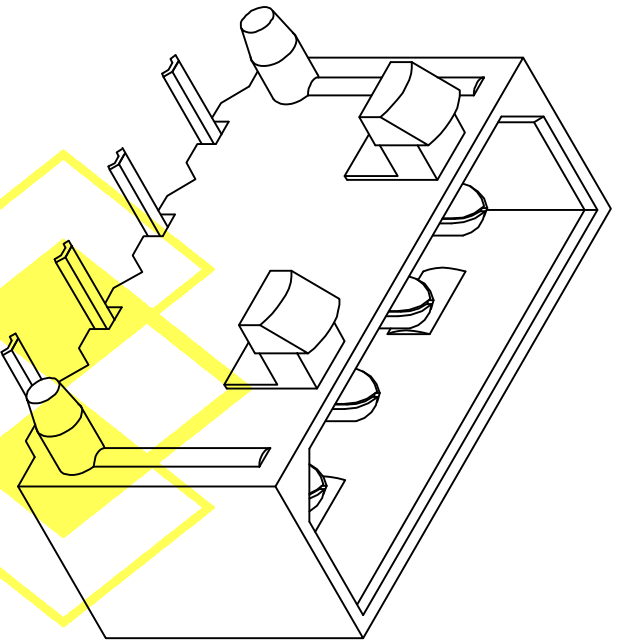
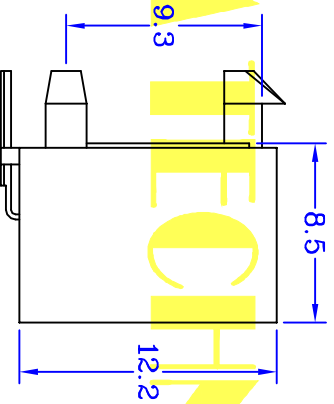
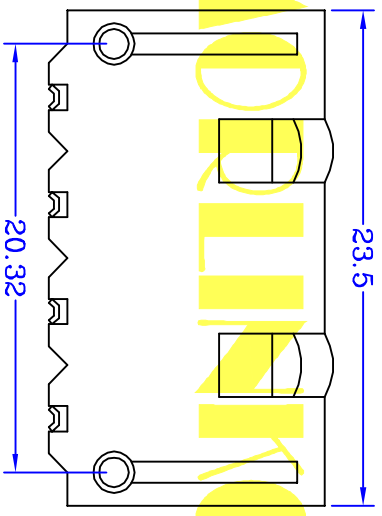
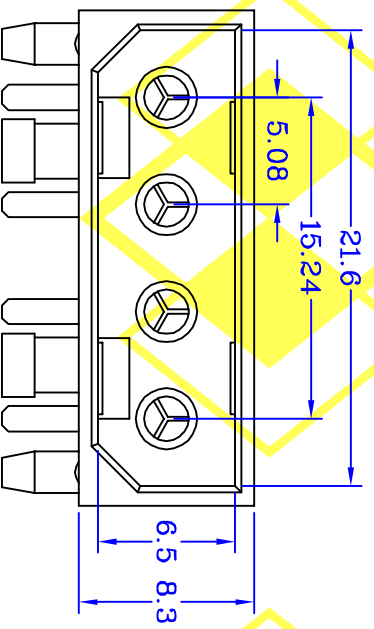


PCB LAYOUT



SPECIFICATIONS
ELECTRICAL

- Contact Current Rating : 7 Amperes AC/DC
 - Contact Resistance : 20 m Ω Max
 - Insulator Resistance : 1000 M Ω Min
 - Dielectric Withstanding Voltage : 1,500V AC RMS 60 Seconds
 - Vol tage Rating : 250V AC/DC
- MATERIAL**
- Insulator : Nylon 66 UL94V-2
 - Contact : Brass , Phos. Bronze
 - Contact Plated : Tin Plated
 - Poles : 4
- Operation Temperature : - 25 $^{\circ}$ C to + 85 $^{\circ}$ C

UNIT : mm

MIDELIUM TECHNOLOGY LTD.

CENTRONIC PRECISION ELECTRONIC COMPANY MORLINKOM TECHNOLOGY LTD
 三川精密電子有限公司 魔林科技有限公司
 TEL:886-2-2686-8788 FAX:886-2-2686-0018
 E-MAIL: Centron@pts6.seed.net.tw E-MAIL: Cen8888@gmail.com

繪圖	DRAWN BY	日期	DATE	圖號	DRAWING NO.
核對	CHECKED BY	比例	SCALE		
	FUFU	2011/03/31		PXWJ02R104TB4	700-04-WR/W
	WENDY	1:1			