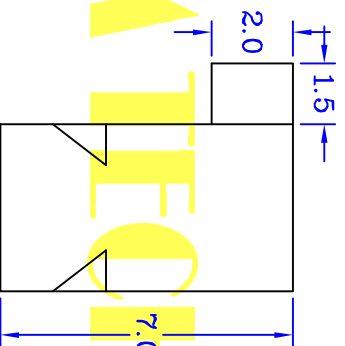
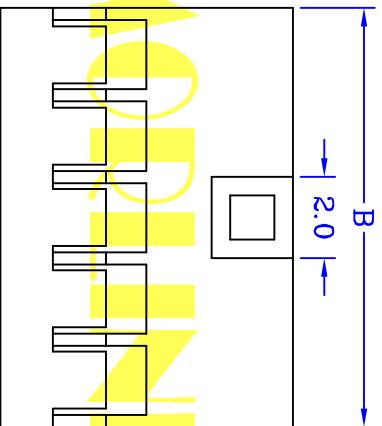
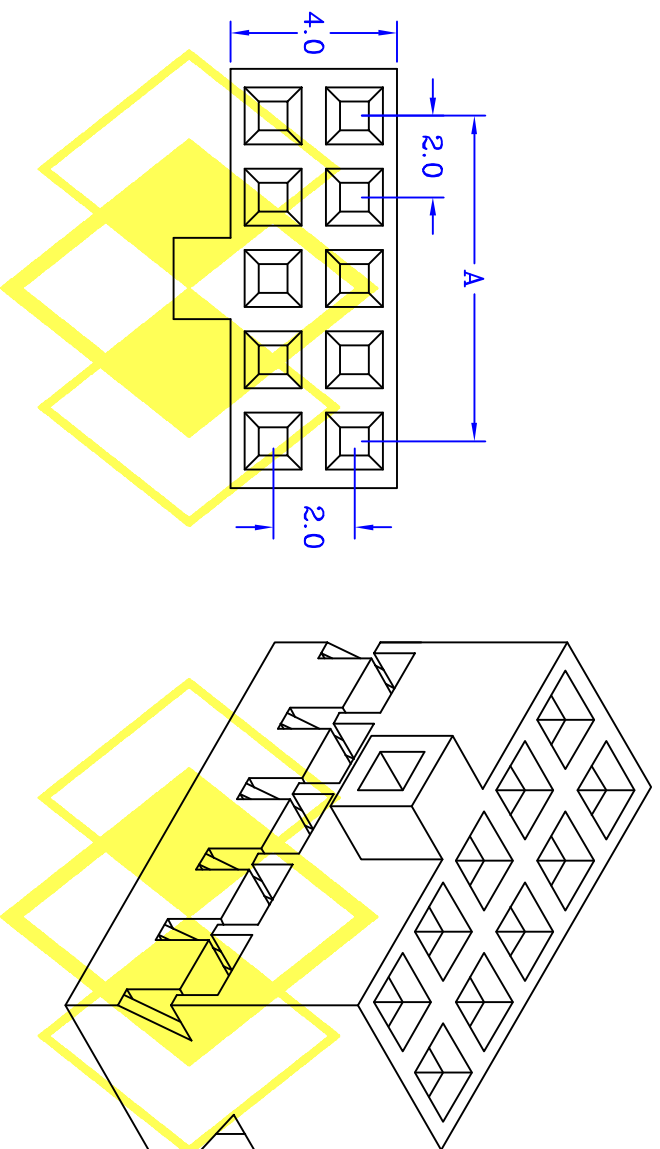


MATERIAL

- Nylon 66 UL94V-2
- Poles : 2 x 2 - 2 x 40 (Dual rows)



PXHXB1HPH1	DIMENSIONS		PXHXB1HPH1	DIMENSIONS	
	A	B		A	B
CONTACTS 4	2.00	4.20	44	42.00	44.20
6	4.00	6.20	46	44.00	46.20
8	6.00	8.20	48	46.00	48.20
10	8.00	10.20	50	48.00	50.20
12	10.00	12.20	52	50.00	52.20
14	12.00	14.20	54	52.00	54.20
16	14.00	16.20	56	54.00	56.20
18	16.00	18.20	58	56.00	58.20
20	18.00	20.20	60	58.00	60.20
22	20.00	22.20	62	60.00	62.20
24	22.00	24.20	64	62.00	64.20
26	24.00	26.20	66	64.00	66.20
28	26.00	28.20	68	66.00	68.20
30	28.00	30.20	70	68.00	70.20
32	30.00	32.20	72	70.00	72.20
34	32.00	34.20	74	72.00	74.20
36	34.00	36.20	76	74.00	76.20
38	36.00	38.20	78	76.00	78.20
40	38.00	40.20	80	78.00	80.20
42	40.00	42.20			

UNIT : mm

CENTRONIC PRECISION ELECTRONIC COMPANY

MORLINKOM TECHNOLOGY LTD

三川精密電子有限公司

魔林科技有限公司

TEL:886-2-2686-8788

FAX:886-2-2686-0018

E-MAIL: Centron@tp6.seed.net.tw

E-MAIL: Cen8888@gmail.com

繪圖 DRAWN BY

FUFU

日期 DATE

2009/03/16

核對 CHECKED BY

WENDY

比例 SCALE

1:1

PXHXB1HPH2N

圖號

710-XX-870N

DRAWING NO.