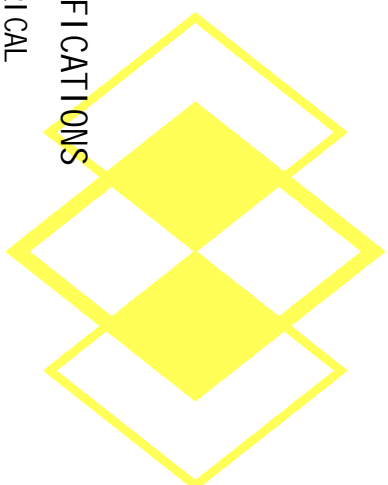
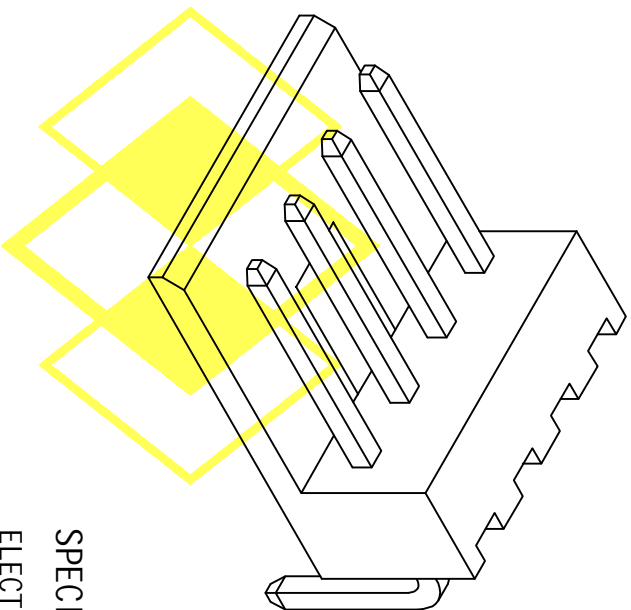
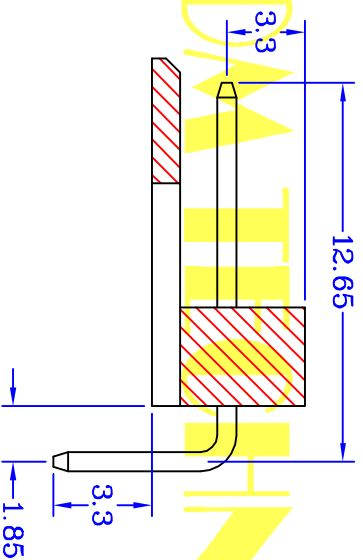
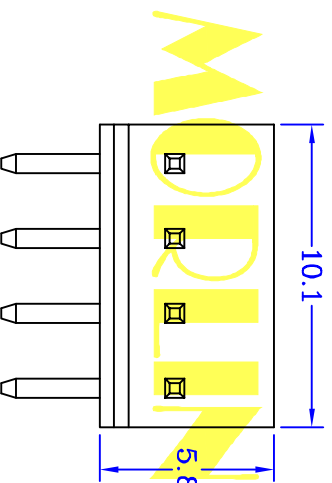
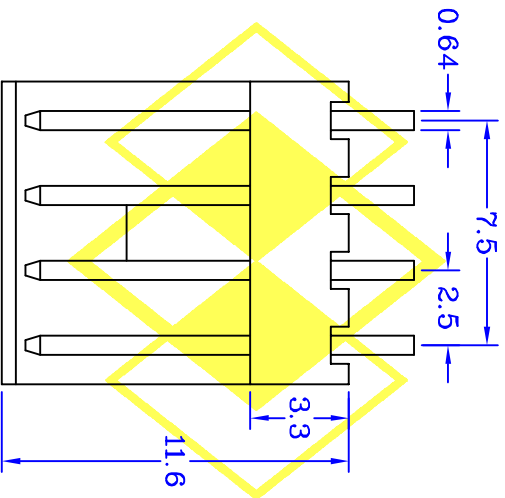


PCB LAYOUT



SPECIFICATIONS

ELECTRICAL

- Contact Current Rating : 3 Amperes AC/DC
 - Contact Resistance : 20 mΩ Max
 - Insulator Resistance : 1000 MΩ Min
 - Dielectric Withstanding Voltage : 1,000V AC RMS 60 Seconds
 - Voltage Rating : 250V AC/DC
- MATERIAL**
- Insulator : Nylon 66 UL94V-0
 - Contact : Brass
 - Contact Plated : Tin Plated
- Operation Temperature : - 25°C to + 85°C

UNIT: mm

CENTRONIC PRECISION ELECTRONIC COMPANY

三川精密電子有限公司

TEL:886-2-2686-8788 FAX:886-2-2686-0018

E-MAIL: Centron@tpsts6.seed.net.tw

MORLINKOM TECHNOLOGY LTD

魔林科技有限公司

E-MAIL: Cen8888@gmail.com

繪圖 DRAWN BY

FUFU

日期 DATE

2011/03/31

核對 CHECKED BY

WENDY

比例 SCALE

1:1

圖號

701-04-1

DRAWING NO.

PXWB03R104TB4