

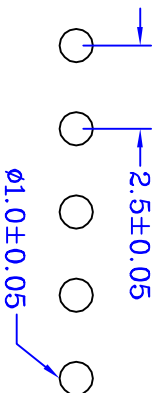
## SPECIFICATIONS

### ELECTRICAL

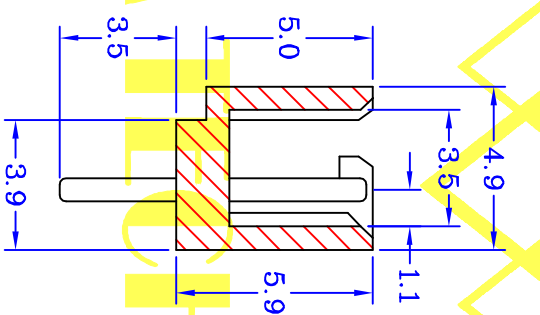
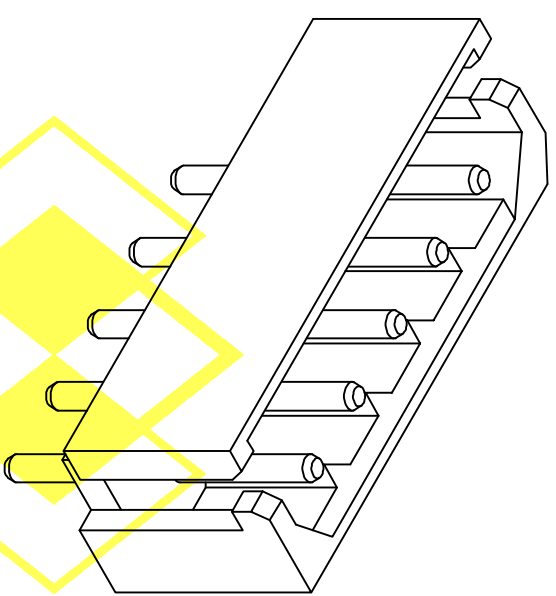
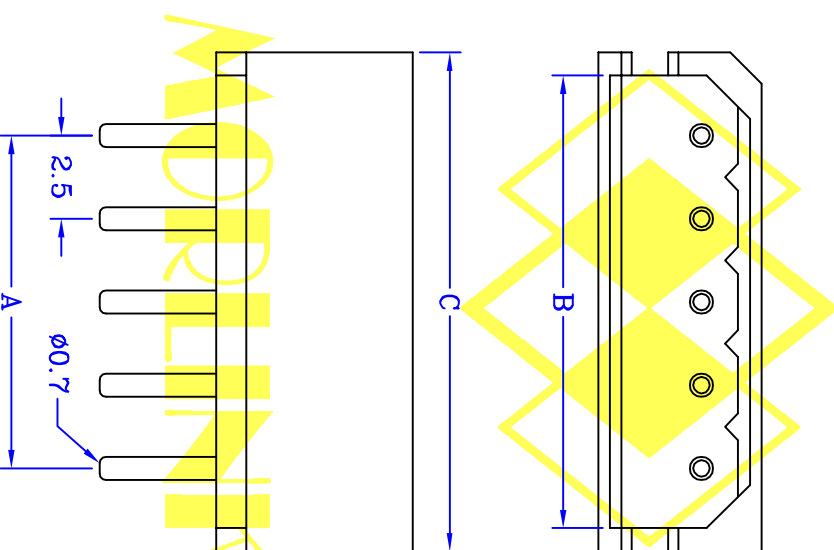
- Contact Current Rating : 3 Amperes AC/DC
- Contact Resistance : 20 mΩ Max
- Insulator Resistance : 1000 MΩ Min
- Dielectric Withstanding Voltage : 1,000V AC RMS 60 Seconds
- Voltage Rating : 250V AC/DC

### MATERIAL

- Insulator : Nylon 66 UL94V-2
  - Contact : Brass
  - Contact Plated : Tin Plated
- Operation Temperature : - 25°C to + 85°C



## PCB LAYOUT



CONTACTS	DIMENSIONS		
	A	B	C
2	2.50	6.00	7.50
3	5.00	8.50	10.00
4	7.50	11.00	12.50
5	10.00	13.50	15.00
6	12.50	16.00	17.50
7	15.00	18.50	20.00
8	17.50	21.00	22.50
9	20.00	23.50	25.00
10	22.50	26.00	27.50
11	25.00	28.50	30.00
12	27.50	31.00	32.50
13	30.00	33.50	35.00
14	32.50	36.00	37.50
15	35.00	38.50	40.00
16	37.50	41.00	42.50
17	40.00	43.50	45.00
18	42.50	46.00	47.50
19	45.00	48.50	50.00
20	47.50	51.00	52.50

UNIT : mm

CENTRONIC PRECISION ELECTRONIC COMPANY  
 三川精密電子有限公司  
 TEL:886-2-2686-8788  
 E-MAIL: Centron@pts6.seed.net.tw

MORLINKOM TECHNOLOGY LTD  
 魔林科技有限公司  
 FAX:886-2-2686-0018  
 E-MAIL: Cen8888@gmail.com

繪圖 DRAWN BY  
 FUFU

核對 CHECKED BY  
 WENDY

日期 DATE  
 2011/03/31

比例 SCALE  
 1:1

PXWB06S1X1TB4

圖號 DRAWING NO.  
 700-XX-08