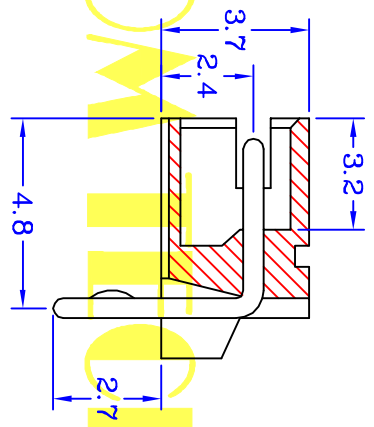
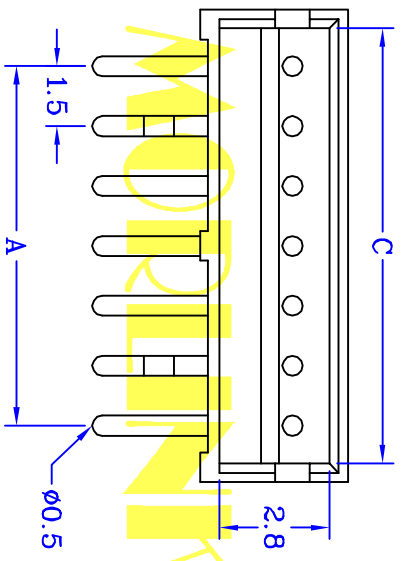
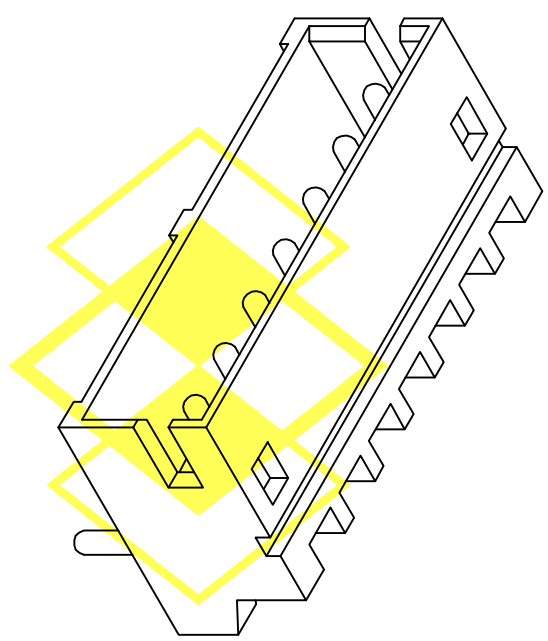
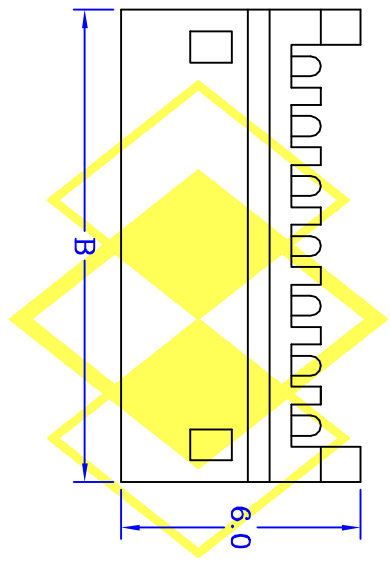


PCB LAYOUT



SPECIFICATIONS
ELECTRICAL

- Contact Current Rating : 1 Amperes AC/DC
- Contact Resistance : 20 mΩ Max
- Insulator Resistance : 500 MΩ Min
- Dielectric Withstanding Voltage : 500V AC RMS 60 Seconds
- Voltage Rating : 50V AC/DC

MATERIAL

- Insulator : Nylon 66 UL94V-0
 - Contact : Brass
 - Contact Plated : Tin Plated
- Operation Temperature : - 25°C to + 85°C

PXW001R1X1TB4 CONTACTS	DIMENSIONS		
	A	B	C
2	1.50	4.50	3.50
3	3.00	6.00	5.00
4	4.50	7.50	6.50
5	6.00	9.00	8.00
6	7.50	10.50	9.50
7	9.00	12.00	11.00
8	10.50	13.50	12.50
9	12.00	15.00	14.00
10	13.50	16.50	15.50
11	15.00	18.00	17.00
12	16.50	19.50	18.50
13	18.00	21.00	20.00

UNIT : mm

CENTRONIC PRECISION ELECTRONIC COMPANY MORLINKOM TECHNOLOGY LTD
 三川精密電子有限公司 魔林科技有限公司
 TEL:886-2-2686-8788 FAX:886-2-2686-0018
 E-MAIL: Centron@tpits6.seed.net.tw E-MAIL: Cen88888@gmail.com

繪圖 DRAWN BY 日期 DATE
 FUFU 2011/03/31
 核對 CHECKED BY 比例 SCALE
 WENDY 1:1

PXW001R1X1TB4

圖號 DRAWING NO.
 701-XX-18