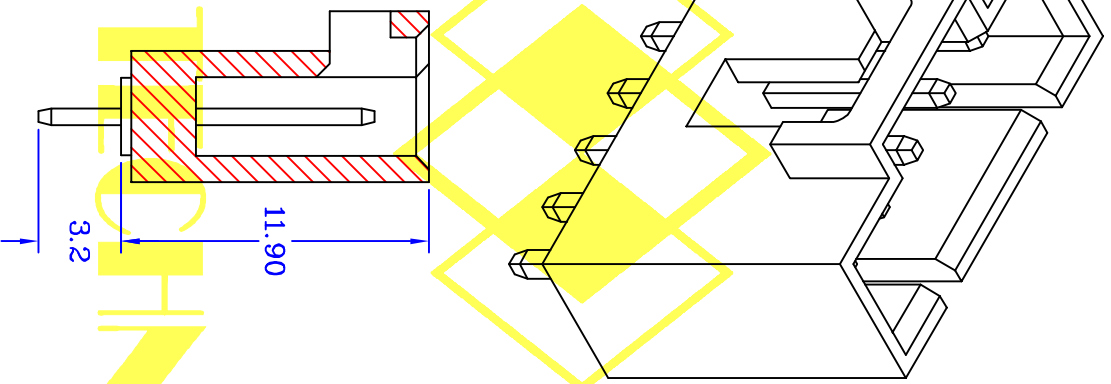
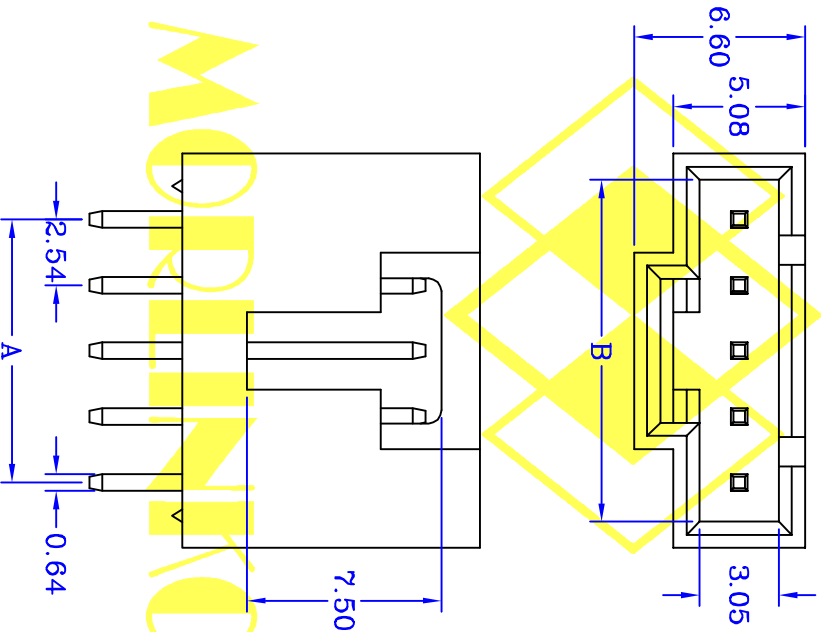


PCB LAYOUT



SPECIFICATIONS

ELECTRICAL

- Contact Current Rating : 3 Amperes AC/DC
- Contact Resistance : 20 mΩ Max
- Insulator Resistance : 1000 MΩ Min
- Dielectric Withstanding Voltage : 1000V AC RMS 60 Seconds
- Voltage Rating : 250V AC/DC

MATERIAL

- Insulator : PBT UL94V-0
- Contact : Brass
- Contact Plated : Gold Plated

Operation Temperature : - 25°C to + 85°C

CONTACTS	DIMENSIONS	
	A	B
02	2.54	5.69
03	5.08	8.13
04	7.62	10.67
05	10.16	13.21
06	12.70	15.75
07	15.24	18.29
08	17.78	20.83
09	20.32	23.37
10	22.86	25.91
11	25.40	28.45
12	27.94	30.99
13	30.48	33.53
14	33.02	36.07
15	35.56	38.61
16	38.10	41.15
17	40.64	43.69
18	43.18	46.23

UNIT : mm

CENTRONIC PRECISION ELECTRONIC COMPANY

三川精密電子有限公司

TEL:886-2-2686-8788

E-MAIL: Centron@tpts6.seed.net.tw

MORLINKOM TECHNOLOGY LTD

魔林科技有限公司

FAX:886-2-2686-0018

E-MAIL: Cen88888@gmail.com

繪圖 DRAWN BY

FUFU

日期 DATE

2011/03/31

核對 CHECKED BY

WENDY

比例 SCALE

1:1

PXWC02S1XTBI

圖號

700-XX-15

DRAWING NO.