

SPECIFICATIONS

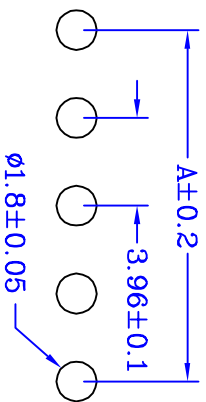
ELECTRICAL

- Contact Current Rating : 7 Amperes AC/DC
- Contact Resistance : 20 mΩ Max
- Insulator Resistance : 1000 MΩ Min
- Dielectric Withstanding Voltage : 1,500V AC RMS 60 Seconds
- Voltage Rating : 250V AC/DC

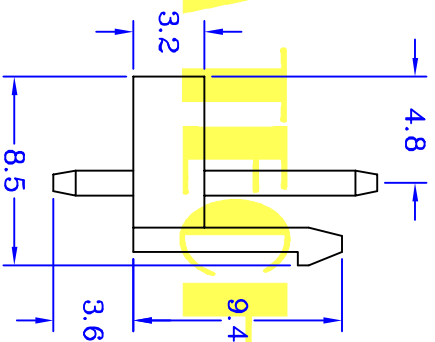
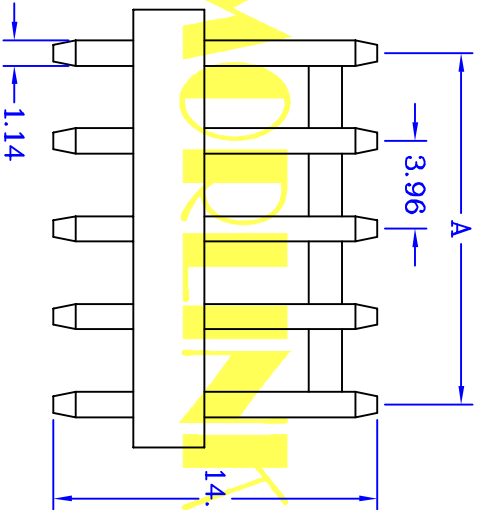
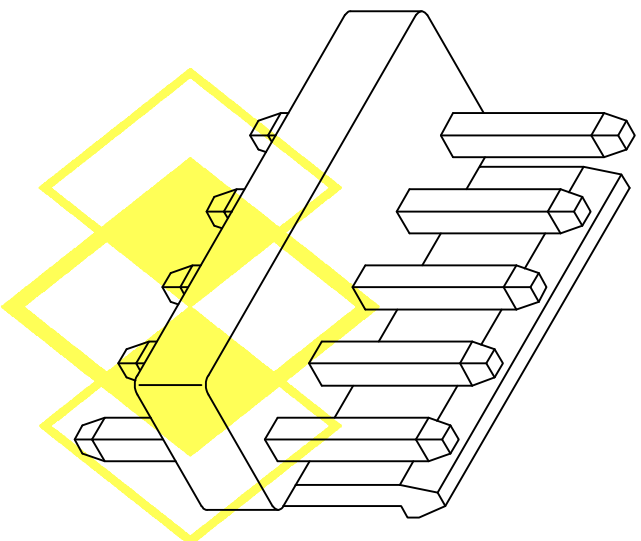
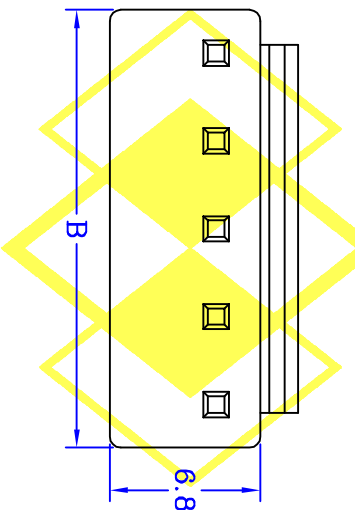
MATERIAL

- Insulator : Nylon 66 UL94V-0
- Contact : Brass
- Contact Plated : Tin Plated
- Poles : 2 - 15

Operation Temperature : - 25°C to + 85°C



PCB LAYOUT



PXWD01S1X1TB4 CONTACTS	DIMENSIONS	
	A	B
02	3.96	7.86
03	7.92	11.82
04	11.88	15.78
05	15.84	19.74
06	19.80	23.70
07	23.76	27.66
08	27.72	31.62
09	31.68	35.58
10	35.64	39.54
11	39.60	43.50
12	43.56	47.46
13	47.52	51.42
14	51.48	55.38
15	55.44	59.34

UNIT : mm

CENTRONIC PRECISION ELECTRONIC COMPANY

MORLINKOM TECHNOLOGY LTD

三川精密電子有限公司

魔林科技有限公司

TEL:886-2-2686-8788

FAX:886-2-2686-0018

E-MAIL: Centron@tpnts6.seed.net.tw

E-MAIL: Cen88888@gmail.com

繪圖 DRAWN BY

FUFU

日期 DATE

2011/03/31

核對 CHECKED BY

WENDY

比例 SCALE

1:1

PXWD01S1X1TB4

圖號

700-XX-V

DRAWING NO.