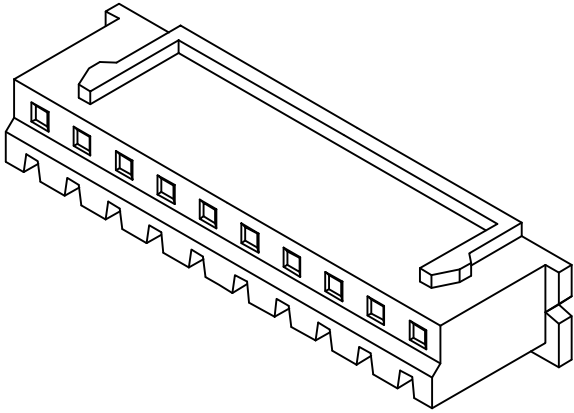
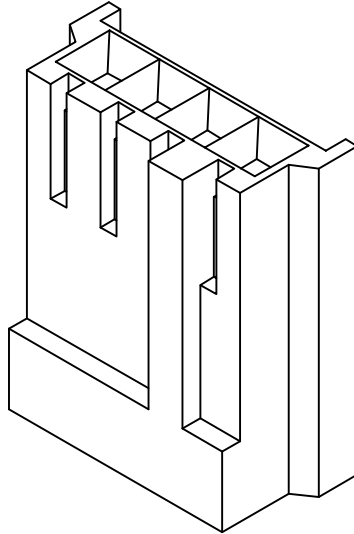


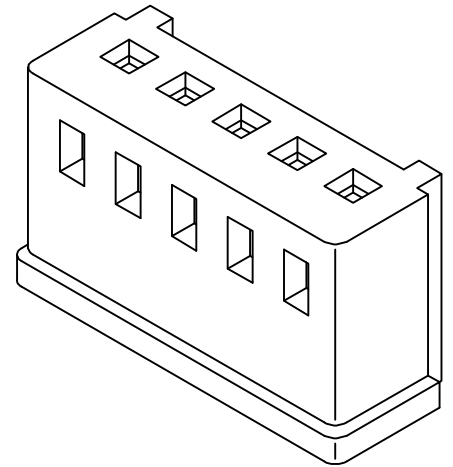
ORDERING INFORMATION



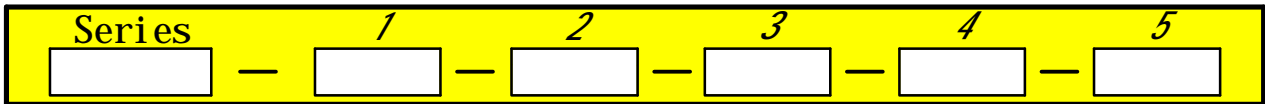
B01



B02



B03



Series

- PXHXxx : Board to Wire Housing Pitch 1.25mm
- PXH0xx : Board to Wire Housing Pitch 1.5mm
- PXHAxx : Board to Wire Housing Pitch 2.0mm
- PXHBxx : Board to Wire Housing Pitch 2.5mm
- PXHCxx : Board to Wire Housing Pitch 2.54mm
- PXHDxx : Board to Wire Housing Pitch 3.96mm
- PXHHxx : Board to Wire Housing Pitch 4.2mm
- PXHExx : Board to Wire Housing Pitch 5.0mm
- PXHJxx : Board to Wire Housing Pitch 5.08mm
- PXHFxx : Board to Wire Housing Pitch 8.0mm

1. Row Type

- 1 : Single Row
- 2 : Dual Rows

2. Poles

02 ~ 24 In Total

3. Products Logo

- A : Custom-Made
- B : Without Logo (Standard)

4. Insulator Color

- 1 : Black
- 4 : White
- 9 : Brown

EXAMPLE : PXHB01 1 10 B 4

Board to Wire Housing Pitch 2.5mm Serial number : B01
Single Row 10 Pin Without Logo
Insulator Color White

Mrlinkom Technology Ltd.