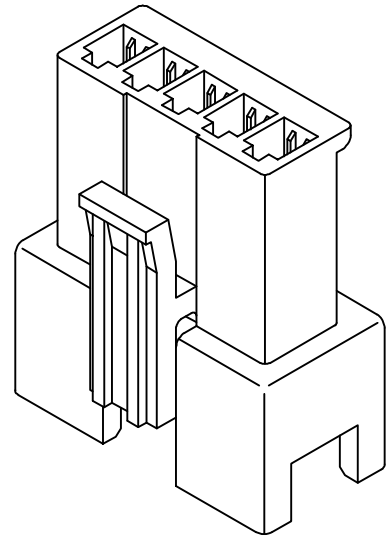
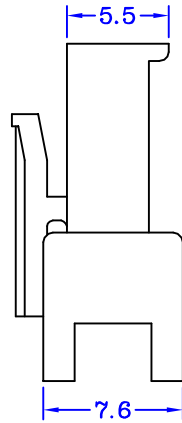
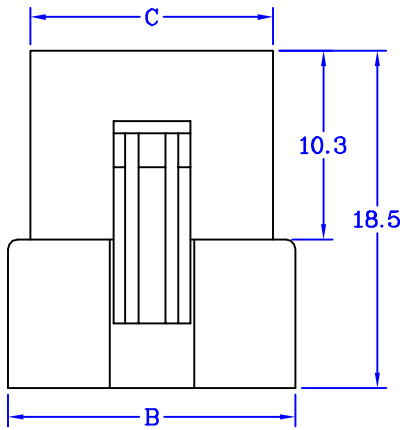
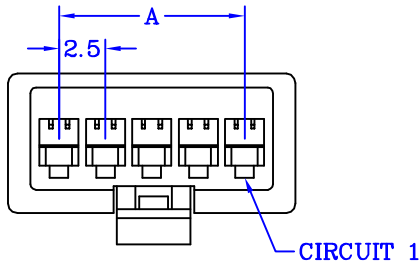


ORDERING INFORMATION



Series

- PXMBxx : Wire to Wire Housing Pitch 2.5mm Plug
- PXFBxx : Wire to Wire Housing Pitch 2.5mm Receptacle
- PXMGxx : Wire to Wire Housing Pitch 3.68mm Plug
- PXFGxx : Wire to Wire Housing Pitch 3.68mm Receptacle
- PXMHxx : Wire to Wire Housing Pitch 4.2mm Plug
- PXFHxx : Wire to Wire Housing Pitch 4.2mm Receptacle

1. Row Type

- 1 : Single Row
- 2 : Dual Rows

2. Poles

02 ~ 24 In Total

3. Products Logo

- A : Custom-Made
- B : Without Logo (Standard)

4. Insulator Color

- 1 : Black
- 4 : White

EXAMPLE : PXMHH01 2 24 B 4

Wire to Wire Housing Pitch 4.2mm Plug (Serial number : H01)
 Dual Rows 24 Pin Without Logo
 Insulator Color White

Mbrlinkom Technology Ltd.