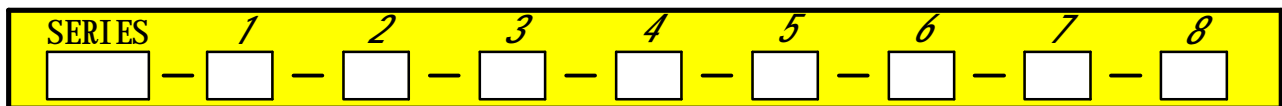
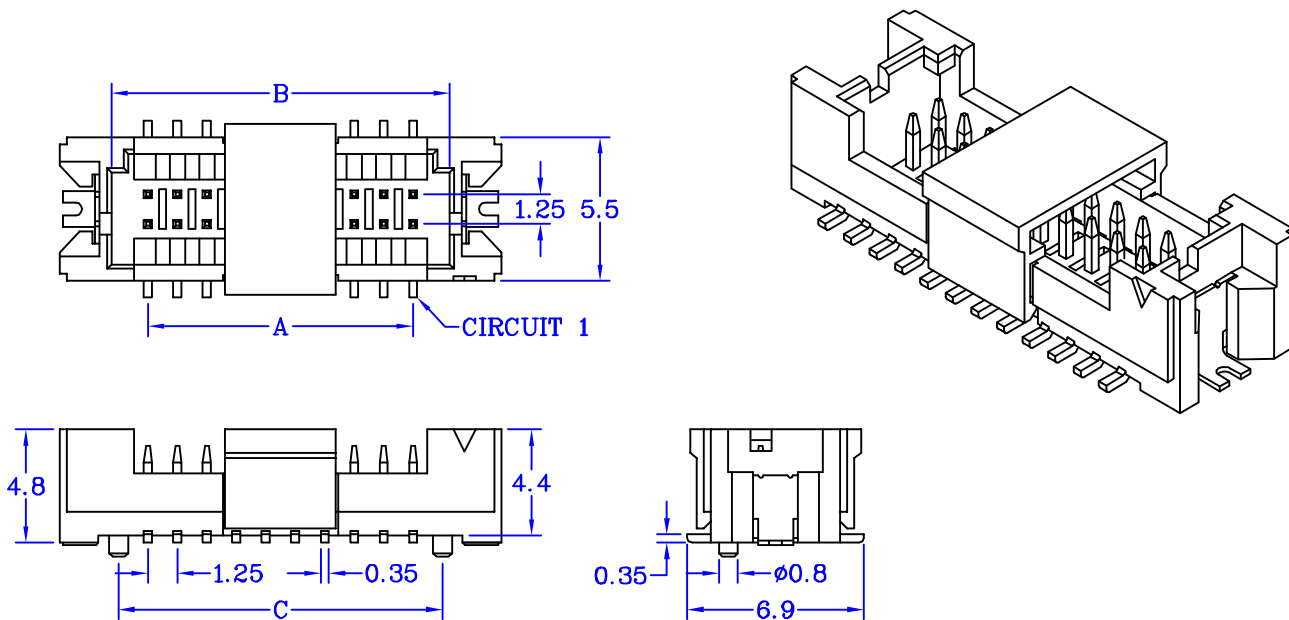


ORDERING INFORMATION



Series	SPXWKxx : Board to Wire Wafer Pitch 1.0mm SMT Type SPXWXxx : Board to Wire Wafer Pitch 1.25mm SMT Type SPXWOxx : Board to Wire Wafer Pitch 1.5mm SMT Type SPXWAXx : Board to Wire Wafer Pitch 2.0mm SMT Type
1. Terminal Type	S : Straight R : Right Angle
2. Row Type	1 : Single Row 2 : Dual Rows
3. No. of Contacts	02 ~ 50 Contacts In Total
4. Plating Option	G : Gold Plated T : Tin Plated
5. Products Logo	A : Custom-Made B : Without Logo (Standard)
6. Insulator Color	1 : Black 4 : White 9: Brown
7. Cut Pin Location	Blank : Without Cut Pin (Standard) AA -ZZ : Custom-Made
8. Packing	T1 : Tube T2 : Tube & With Cap R1 : Reel R2 : Reel & With Cap

EXAMPLE : SPXWX01 R 1 20 T B 4 T2

Board to Wire Wafer Pitch 1.25mm SMT Type Serial number : X01
Right Angle Termination Single Row 20 Pin Tin Plated
Without Logo Insulator Color White
Packing - Tube & With Cap

Mbrlinkom Technology Ltd.