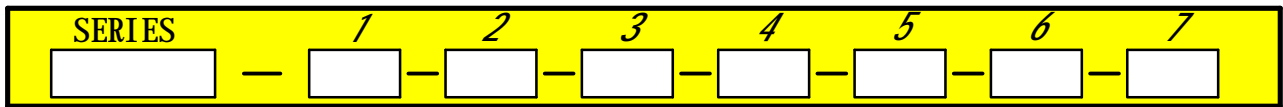
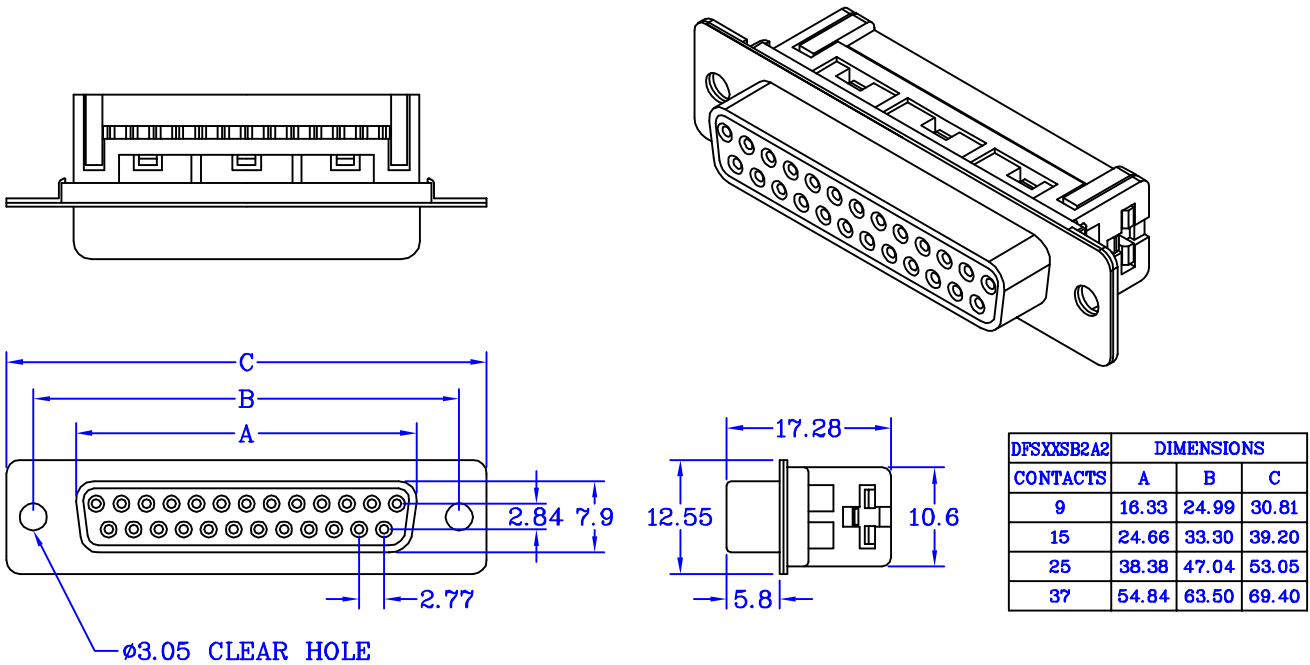


ORDERING INFORMATION



- Series DF : D-Sub IDC Type Connector
- 1. Type of Contacts P : Pin (Male)
S : Socket (Female)
- 2. Number of Contacts 09 15 25 37
- 3. Plating Option S : Selective Plated(Standard) (Gold / Tin)
- 4. Products Logo A : Custom-Made
B : Without Logo (Standard)
- 5. Insulator Color 1 : Black
2 : Blue (Standard)
- 6. Shell Type A1 : Metal (Thin) Without Thread Hole
A2 : All Plastic Without Thread Hole
A3 : Metal With Thread Hole
A4 : Metal Without Thread Hole
- 7. Strain Relief #0 : Without Strain Relief
#1 : Plastic Type
#2 : Metal Type

EXAMPLE : DF S 25 S B 2 A1 #0
 D-Sub IDC Type Connector Female
 25 Pin Selective Plated Without Logo
 Insulator Color Blue Metal (Thin) Without Thread Hole
 Without Strain Relief

Mbrlinkom Technology Ltd.