

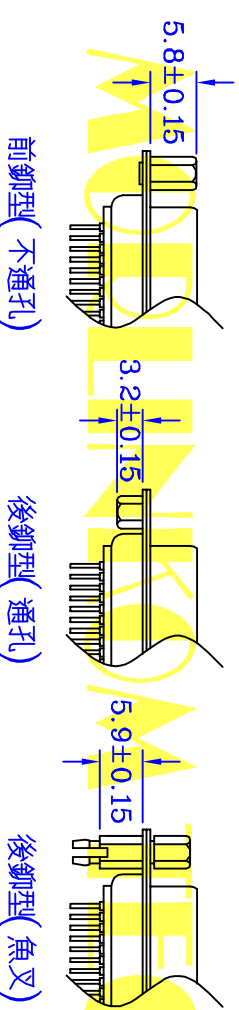
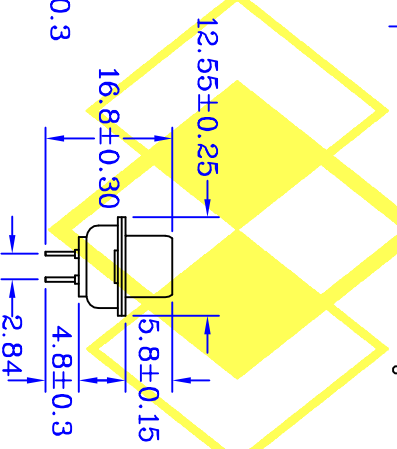
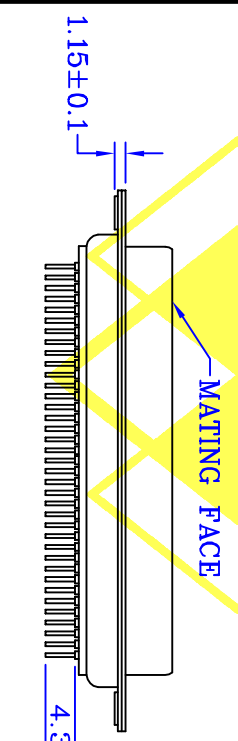
SPECIFICATION

ELECTRICAL

- Contact Current Rating : 1 Ampere
- Contact Resistance : 25 mΩ Max
- Insulator Resistance : 1,000 MΩ Min
- Dielectric Withstanding Voltage : 1000 V AC RMS 60 Seconds

MATERIAL

- Insulator : PBT UL 94V-0
 - Contact : Brass
 - Contact Plated : Selective Gold Over Copper Plated
 - Shell : Steel
 - Shell Plated : Tin , Nickel OR Zinc Plated
- MECHANICAL**
- Mating cycles : 3000 Cycles Min.
 - Operation Temperature : - 40°C to + 105°C



DPSXXSB4#1 CONTACTS	DIMENSIONS		
	A	B	C
9	16.33	24.99	30.81
15	24.66	33.32	39.25
25	38.38	47.04	53.04
37	54.84	63.50	69.50
50	52.43	61.11	66.93

UNIT: mm

CENTRONIC PRECISION ELECTRONIC COMPANY
 三川精密電子有限公司
 TEL:886-2-2686-8788 FAX:886-2-2686-0018
 E-MAIL: Centron@pts6.seed.net.tw

MORLINKOM TECHNOLOGY LTD
 魔林科技有限公司
 E-MAIL: Cen8888@gmail.com

繪圖	DRAWN BY	日期	DATE
核對	CHECKED BY	比例	SCALE
FUFU	WENDY	1:1	

DPSXXSB4#1

圖號 461-XX
 DRAWING NO.