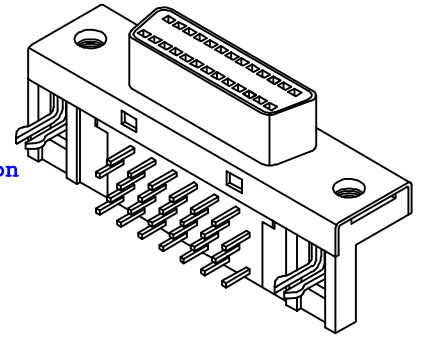
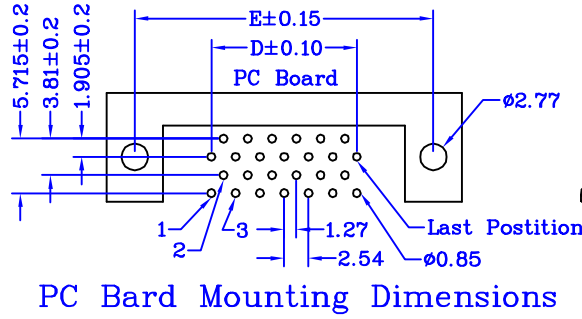
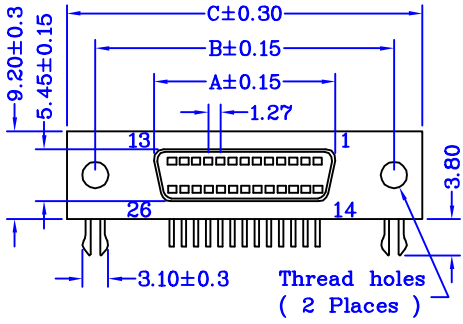
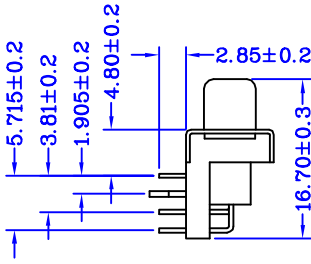
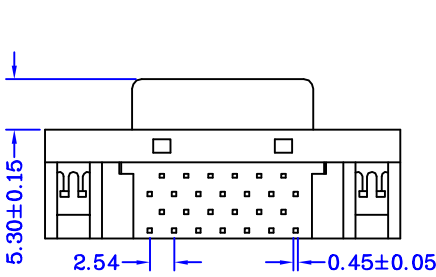


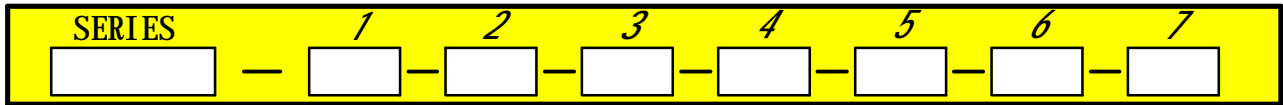
ORDERING INFORMATION



PC Bard Mounting Dimensions



SCSIXDR	DIMENSIONS				
CONTACTS	A	B	C	D	E
26	19.45	31.26	37.19	15.24	31.26
40	28.25	40.15	46.30	24.13	40.15
50	34.70	46.50	52.43	30.48	46.50
68	46.13	57.93	63.86	41.91	57.93



- Series SC51 : SCSI-II D-Sub Female Connector W/Boardlock
- 1. Type of Contacts D : Pin Type
C : Ribbon Type
- 2. Terminal Type S : Straight Termination
R : Right Angle Termination
- 3. Number of Contacts 26 40 50 68
- 4.Plating Option S : Selective Plated(Standard)
- 5. Products Logo A : Custom-Made
B : Without Logo (Standard)
- 6. Insulator Color 1 : Black (Standard)
- 7. Accessories Blank : none L : Latch Type
- 8. Mounting Screw S1 : Thread Insert #2 - 56
S2 : Thread Insert #4 - 40)
S3 : Thread Insert M2.6)

EXAMPLE : SC51 D R 40 S B 1 S1
 SCSI-II D-Sub Female Connector W/Boardlock
 Right Angle 40 Pin Selective Plated Without Logo
 Insulator Color Black And Thread Insert #2 - 56