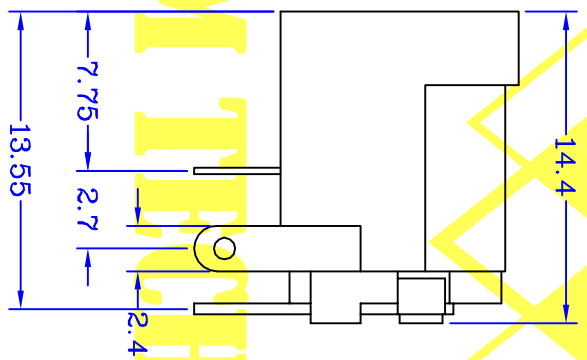
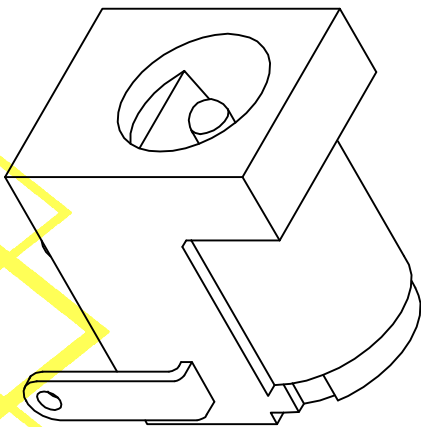
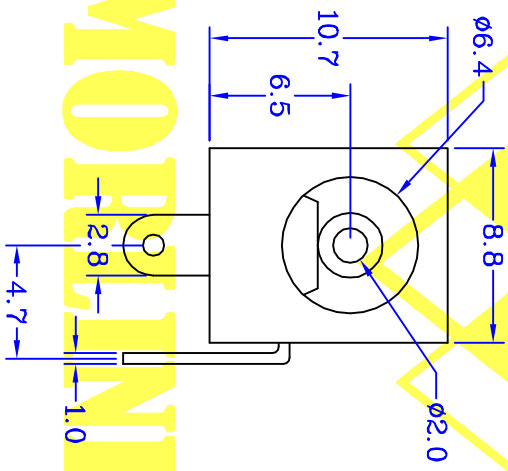
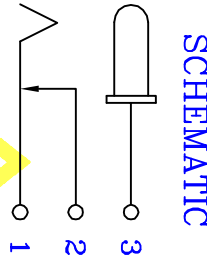


MORLINKOM TECHNOLOGY LTD.

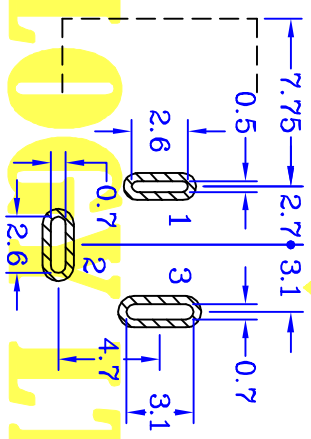


SPECIFICATIONS ELECTRICAL

- Contact Current Rating : 2A 12V DC / 0.5A 30V DC
- Contact Resistance : 30 mΩ Max
- Insulator Resistance : 100 MΩ Min
- Dielectric Withstanding Voltage : 500 V AC RMS 60 Seconds
- Operating Voltage : 150V AC Max

MECHANICAL

- Insertion & Extraction Force :
Initial : 0.3 To 3.0 Kgs
After life test : 0.2 To 3.0 Kgs
- life test (20-30 cycle/minute) 500 cycles unloading



PCB LAYOUT

UNIT : mm

CENTRONIC PRECISION ELECTRONIC COMPANY MORLINKOM TECHNOLOGY LTD
 三川精密電子有限公司 魔林科技有限公司
 TEL:886-2-2686-8788 FAX:886-2-2686-0018
 E-MAIL: Centron@tpst6.seed.net.tw E-MAIL: Cen8888@gmail.com

繪圖	DRAWN BY	日期	DATE
核對	FUFU	2008/12/26	
CHECKED BY	WENDY	比例	SCALE
		1:1	

DCPJ03-2.0

圖號 **851-06**
DRAWING NO.