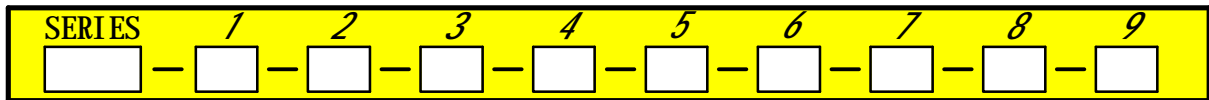
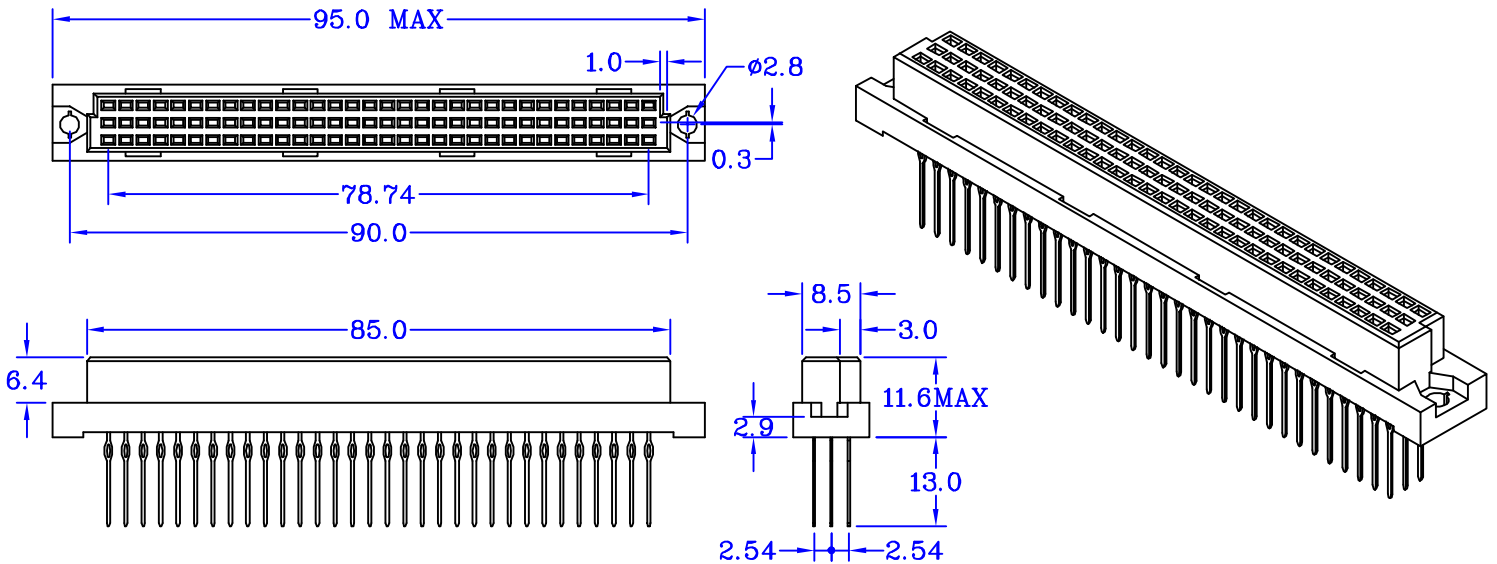


# ORDERING INFORMATION



Series      DIN : Pitch 2.54mm Din 41612 Connector  
               LDIN : Pitch 5.08mm Din 41612 Connector

- |                    |   |
|--------------------|---|
| 1. Terminal Type   | S : Straight Termination<br>R : Right Angle Termination           |
| 2. Contact Type    | P : Male<br>S : Female & Stamping Pin<br>SQ : Female & Square Pin |
| 3. Row Type        | 1 : Single Row<br>2 : Dual Rows<br>3 : Triple Rows                |
| 4. No. of Contacts | 16 32 48 64 96  |
| 5. Plating Option  | T : Tin Plated<br>G : Gold Plated<br>S : Selective Plated         |
| 6. Products Logo   | A : Custom-Made<br>B : Without Logo ( Standard )                  |
| 7. Insulator Color | 4 : White ( Standard )  |
| 8. Width           | Blank : 2.54mm<br>W : 5.08mm                                      |
| 9. Dip Length      | Blank : ( Standard )<br>01 : 13mm                                 |

**EXAMPLE :** DIN S S 3 96 T B 4 01

Pitch 2.54mm Din 41612 Connector Straight Termination Female  
 Triple Rows 96 Pin( 3Row x 32Pin ) Tin Plated Without Logo  
 Insulator Color White Width 2.54mm and Dip Length 13mm

**Mbrlinkom Technology Ltd.**