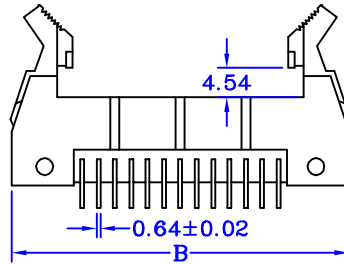
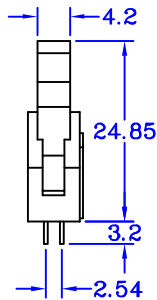
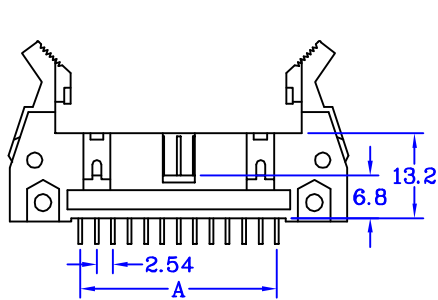
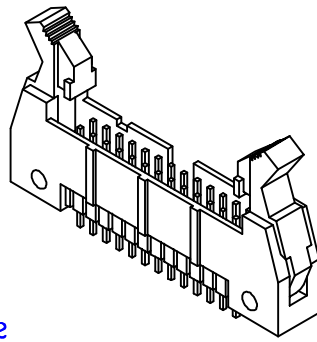
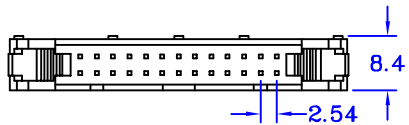
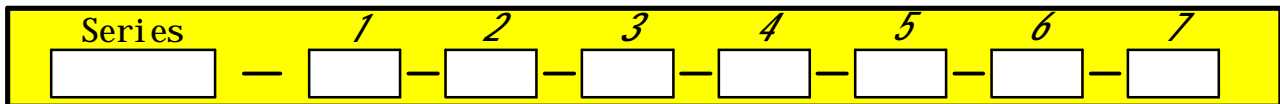


ORDERING INFORMATION



| HCSXGB101A CONTACTS | DIMESION | |
|------------------------|----------|--------|
| | A | B |
| 10 | 10.16 | 32.24 |
| 12 | 12.70 | 34.78 |
| 14 | 15.24 | 37.32 |
| 16 | 17.78 | 39.86 |
| 20 | 22.86 | 44.94 |
| 24 | 27.94 | 50.02 |
| 26 | 30.48 | 52.56 |
| 30 | 35.56 | 57.64 |
| 34 | 40.64 | 62.72 |
| 40 | 48.26 | 70.34 |
| 44 | 53.34 | 75.42 |
| 50 | 60.96 | 83.04 |
| 60 | 73.66 | 95.74 |
| 64 | 78.74 | 100.82 |



Series

HC : Pitch 2.54mm Box Header With Eject Levers
 HHC : Pitch 2.0mm Box Header With Eject Levers
 SHHC : Pitch 2.0mm SMT Type Box Header With Eject Levers

1. Terminal Type

S : Straight Termination
 R : Right Angle Termination
 F : Flat Cable IDC Type
 FN : Flat Cable IDC Type With Mounting Ears

2. Number of Contacts

10 12 14 16 20 24 26 30 34 40 44 50 60 64 68 80 100

3. Plating Option

G : Gold Plated (Standard)
 T : Tin Plated
 S : Selective Plated

4. Products Logo

A : Custom-Made
 B : Without Logo (Standard)

5. Insulator Color

1 : Black
 7 : Grey

6. Latch Length

Blank : Long Latch(Standard)
 01 : Short Latch

7. Latch Style

Blank : Straight(Standard)
 A : Bending

EXAMPLE : HC S 60 G B 1 01 A

Pitch 2.54mm Box Header With Eject Levers
 Straight Termination 60 Pin Gold Plated Without Logo
 Insulator Color Black & Short Latch and Bending

Mbrlinkom Technology Ltd.