

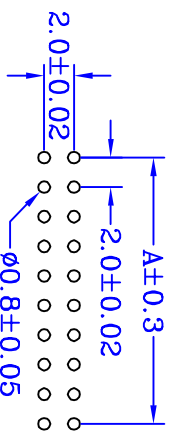
SPECIFICATIONS

ELECTRICAL

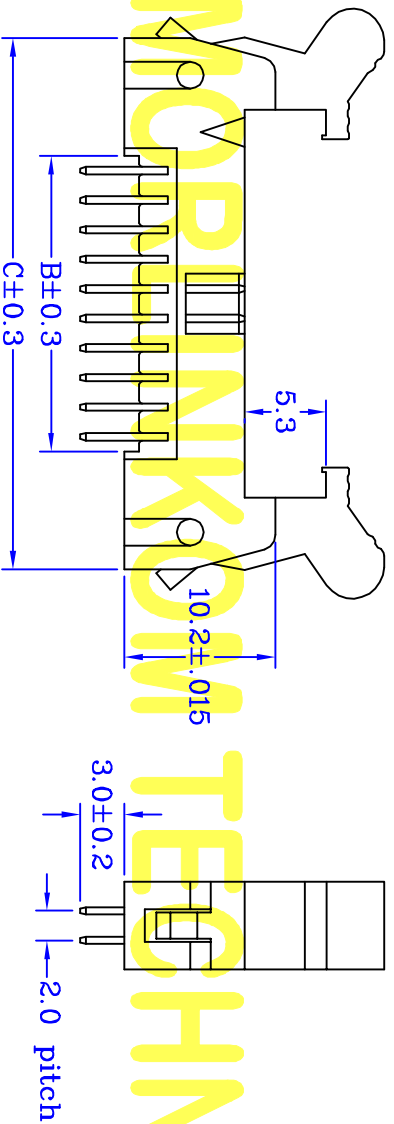
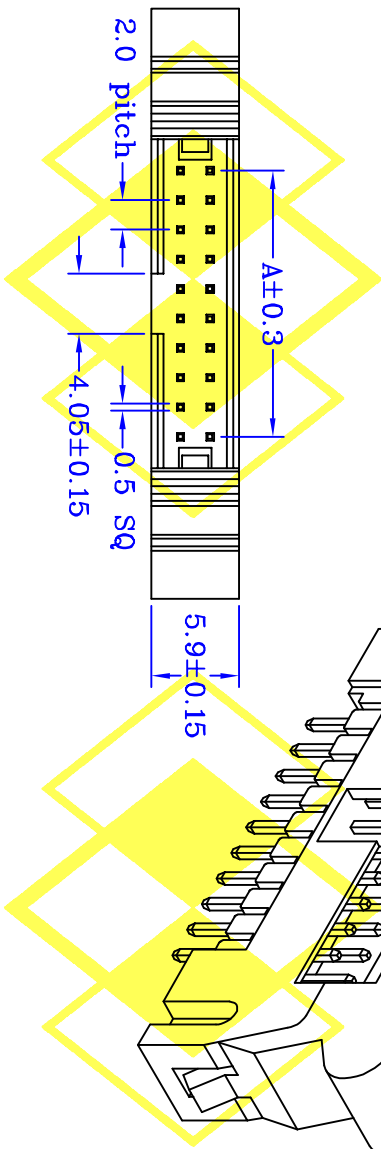
- Contact Current Rating : 2 Amperes
- Contact Resistance : 20 mΩ Max
- Insulator Resistance : 5,000 MΩ Min
- Dielectric Withstanding Voltage : AC 500 V RMS 60 Seconds

MATERIAL

- Insulator : Nylon-9T
 - Contact : Brass
 - Contact Plated : Gold Plated (Standard)
- Operation Temperature : - 40°C to + 105°C



PCB LAYOUT



HHCXXGB101A CONTACTS	DIMENSIONS		
	A	B	C
10	8.00	10.00	25.90
12	10.00	12.00	27.90
14	12.00	14.00	29.90
16	14.00	16.00	31.90
20	18.00	20.00	35.90
22	20.00	22.00	37.90
24	22.00	24.00	39.90
26	24.00	26.00	41.90
30	28.00	30.00	45.90
32	30.00	32.00	47.90
34	32.00	34.00	49.90
40	38.00	40.00	55.90
44	42.00	44.00	59.90
50	48.00	50.00	65.90
60	58.00	60.00	75.90

UNIT : mm

CENTRONIC PRECISION ELECTRONIC COMPANY

MORLINKOM TECHNOLOGY LTD

三川精密電子有限公司

魔林科技有限公司

TEL:886-2-2686-8788 FAX:866-2-2686-0018

E-MAIL: Centron@pts6.seed.net.tw E-MAIL: Cen8888@gmail.com

繪圖 DRAWN BY FUFU

日期 DATE 2009/12/09

核對 CHECKED BY WENDY

比例 SCALE 1:1

HHCXXGB101A

圖號 315-XX-01A

DRAWING NO.