

### SPECIFICATIONS

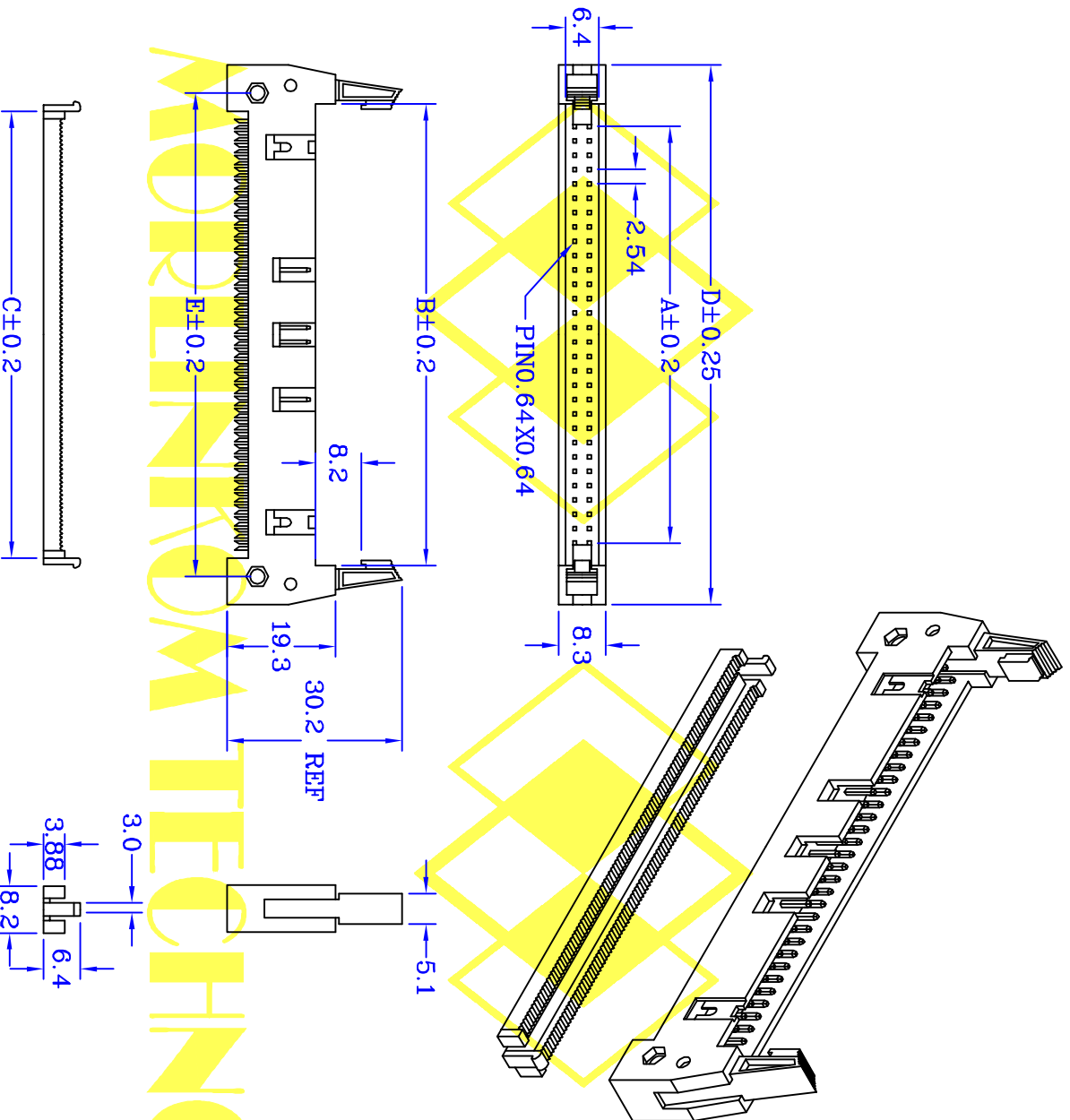
#### ELECTRICAL

- Contact Current Rating : 1 Amperes
- Contact Resistance : 30 mΩ Max
- Insulator Resistance : 1,000 MΩ Min
- Dielectric Withstanding Voltage : 500V AC RMS 60 Seconds

#### MATERIAL

- Insulator : PBT + 30%Glass Fiber , UL 94V-0
- Contact : Brass
- Contact Plated : Selective Plated (Standard)  
Gold Plated 、 Tin Plated

Operation Temperature : - 40°C to + 105°C



HCFXXGB7 CONTACTS	DIMENSION				
	A	B	C	D	E
10	10.16	18.10	15.42	32.00	21.86
14	15.24	23.18	20.50	37.08	26.94
16	17.78	25.72	23.04	39.62	29.48
20	22.86	30.80	28.12	44.70	34.56
24	27.94	35.88	33.20	49.78	39.64
26	30.48	38.42	35.74	52.32	42.18
30	35.56	43.50	40.82	57.40	47.26
34	40.64	48.58	49.90	62.48	52.34
40	48.26	56.20	53.52	70.10	59.96
50	60.96	68.90	66.22	82.80	72.66
60	73.66	81.60	78.92	95.50	85.36
64	78.74	86.68	84.00	100.8	90.44

UNIT : mm

CENTRONIC PRECISION ELECTRONIC COMPANY

三川精密電子有限公司

MORLINKOM TECHNOLOGY LTD  
魔林科技有限公司

TEL:886-2-2686-8788 FAX:886-2-2686-0018

E-MAIL: Centron@tpts6.seed.net.tw E-MAIL: Cen8888@gmail.com

繪圖 DRAWN BY  
FUJFU

日期 DATE  
2011/02/21

核對 CHECKED BY  
WENDY

比例 SCALE  
1:1

HCFXXGB7

圖號

300-XX-F

DRAWING NO.