

# SPECIFICATIONS

## ELECTRICAL

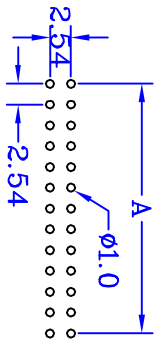
- Contact Current Rating : 1 Ampere
- Contact Resistance : 20 mΩ Max
- Insulator Resistance : 5,000 MΩ Min

• Dielectric Withstanding Voltage : AC 500 V RMS 60 Seconds

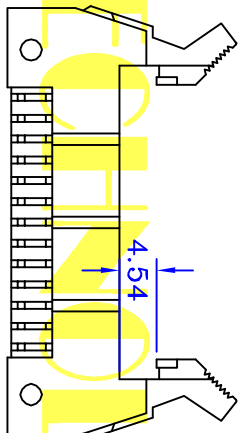
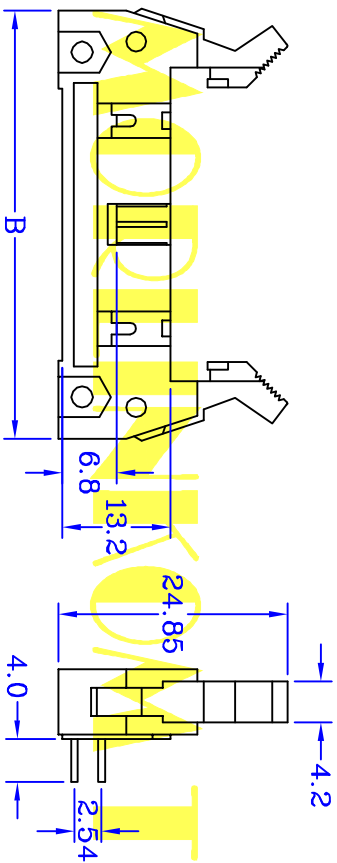
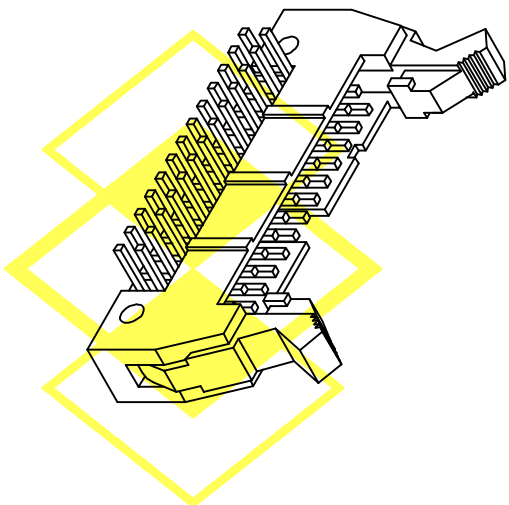
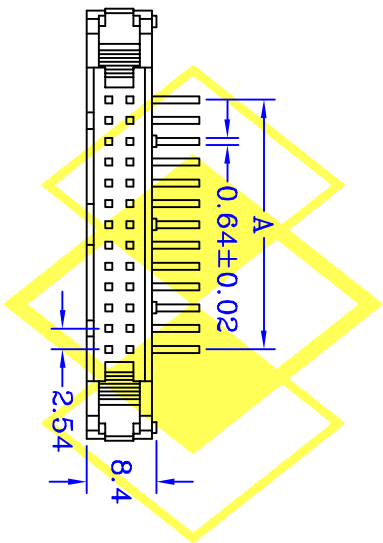
## MATERIAL

- Insulator : PBT , UL 94V-0
- Contact : Brass

• Contact Plated : Gold Plated (Standard)  
 Operation Temperature : - 40°C to + 105°C



PCB LAYOUT



HCRXXGB101A CONTACTS	DIMENSION	
	A	B
10	10.16	32.24
12	12.70	34.78
14	15.24	37.32
16	17.78	39.86
20	22.86	44.94
24	27.94	50.02
26	30.48	52.56
30	35.56	57.64
34	40.64	62.72
40	48.26	70.34
44	53.34	75.42
50	60.96	83.04
60	73.66	95.74
64	78.74	100.82

UNIT : mm

CENTRONIC PRECISION ELECTRONIC COMPANY

三川精密電子有限公司

TEL:886-2-2686-8788

E-MAIL: Centron@tpts6.seed.net.tw

MORLINKOM TECHNOLOGY LTD

魔林科技有限公司

FAX:886-2-2686-0018

E-MAIL: Cen8888@gmail.com

繪圖 DRAWN BY

FUFU

日期 DATE

2009/08/19

核對 CHECKED BY

WENDY

比例 SCALE

1:1

HCRXXGB101A

圖號 310-XX-01A

DRAWING NO.