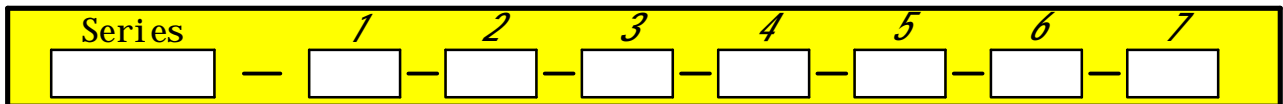
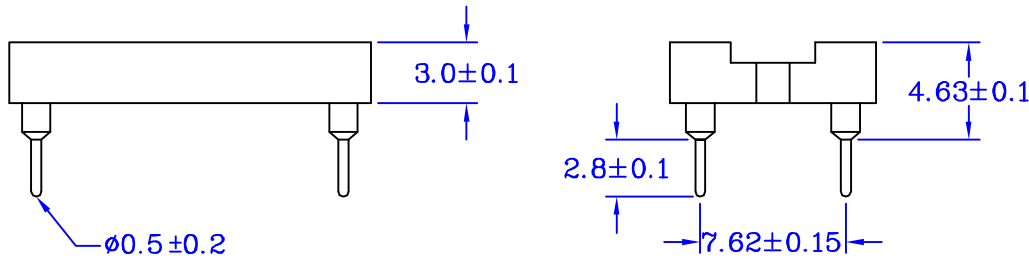
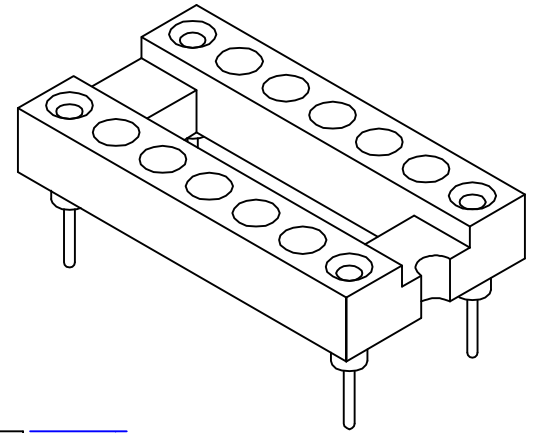
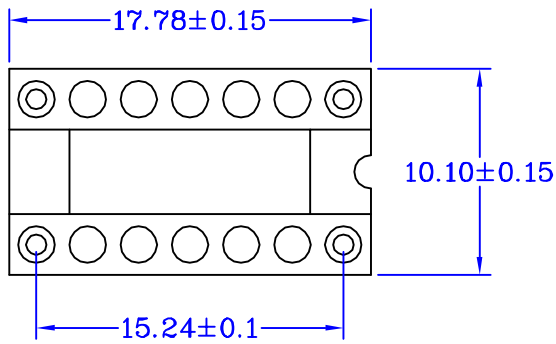


# ORDERING INFORMATION



Series

ICSR : Screw Machined Pin IC Socket

1. Number of Contacts

06 08 08/4 14 14/4 16 18 20 24 28 32 40 48 64  
( 08/4、14/4 : Oscillator Socket )

2. Plating Option

T : Tin Plated  
G : Gold Plated  
S : Selective Plated

3. Products Logo

A : Custom-Made  
B : Without Logo ( Standard )

4. Insulator Color

1 : Black

5. Version Option

A : With Inside Bar  
B : Without Inside Bar  
I : With Double Inside Bar

6. Width

C : 0.3"      D : 0.4"  
E : 0.6"      F : 0.75"

7. Pin Length

Blank : Pin Length 2.8mm Standard Size  
01-99 : Screw Machined Pin & Pin Length serial number  
L01-L99 : Wire Wrap Type Square Pin & Pin Length serial number

**EXAMPLE :** ICSR 14/4 S B 1 B C

Screw Machined Pin IC Socket 14 Pin & 4 Contacts ( Oscillator Socket )  
Selective Plated Without Logo Insulator Color Black  
Without Inside Bar and Width 0.3"

**Mbrlinkom Technology Ltd.**