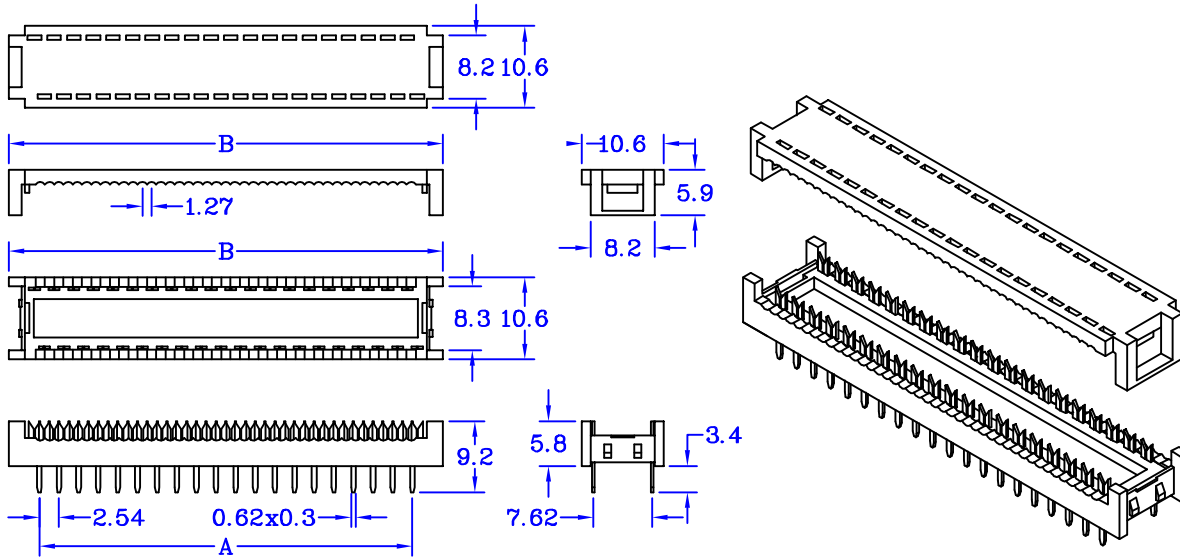


# ORDERING INFORMATION



DPGBXTBI CONTACTS	DIMENSIONS	
	A	B
08	7.62	15.45
10	10.16	17.95
14	15.24	23.05
16	17.78	25.50
18	20.32	28.12
20	22.86	30.68
24	27.94	35.80
28	33.02	40.81
34	40.64	51.03
40	48.26	56.15

Series	1	2	3	4	5
[ ]	[ ]	[ ]	[ ]	[ ]	[ ]

- Series                                    DPG : IDC Transition Dip Plug Pitch 2.54mm
1. Width                                    A : 2.54mm  
     B : 7.62mm  
     C : 15.24mm
2. Number of Contacts                    06 08 10 12 14 16 18 20 24 26 28 30 34 40 50 60 64
3. Plating Option                            T : Tin Plated( Standard )  
     S : Selective Plated  
     G : Gold Plated
4. Products Logo                            A : Custom-Made  
     B : Without Logo ( Standard )
5. Insulator Color                            1 : Black ( Standard )

**EXAMPLE :** DPG B 28 T B 1  
 IDC Transition Dip Plug Width 7.62mm 28 Pin  
 Tin Plated Without Logo  
 Insulator Color Black

Mbrlinkom Technology Ltd.