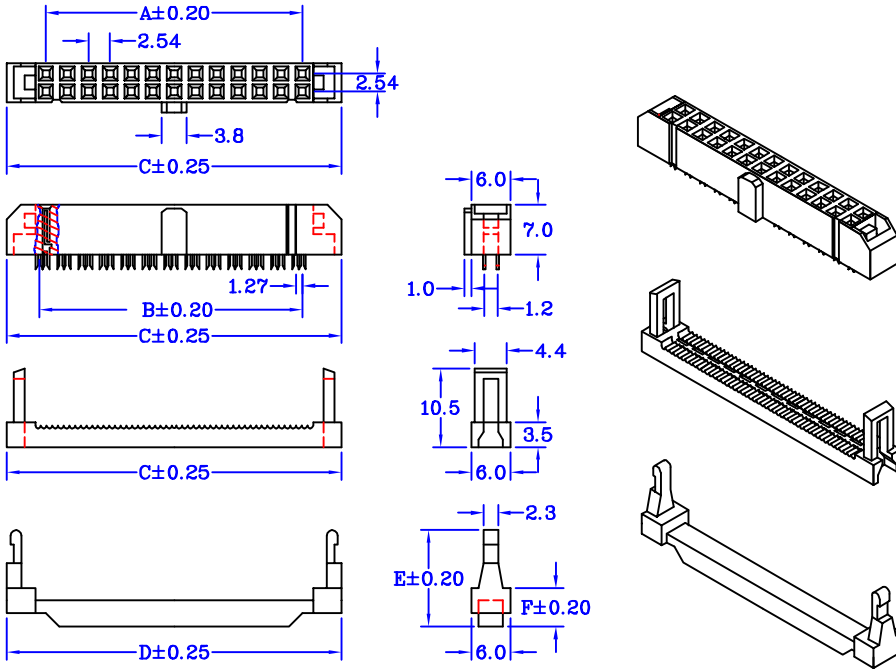


ORDERING INFORMATION



IDSXXSBIAl	DIMENSIONS					
	CONTACTS	A	B	C	D	E
06	5.08	6.35	12.32	12.12	13.55	5.00
08	7.62	8.89	14.86	14.66	13.55	5.00
10	10.16	11.43	17.40	17.20	13.55	5.00
12	12.70	13.97	19.94	19.74	13.55	5.00
14	15.24	16.51	22.48	22.28	13.55	5.00
16	17.78	19.05	25.02	24.82	13.55	5.00
18	20.32	21.59	27.56	27.36	13.55	5.00
20	22.86	24.13	30.10	29.90	13.55	5.00
24	27.94	29.21	35.18	34.98	13.55	5.00
26	30.48	31.75	37.72	37.52	13.55	5.00
30	35.56	36.83	42.80	42.60	13.45	4.85
34	40.64	41.91	47.88	47.68	13.55	5.00
36	43.18	44.45	50.42	50.22	13.55	5.00
40	48.26	49.53	55.50	55.30	13.55	5.00
44	53.34	54.61	60.58	60.38	13.55	5.00
50	60.96	62.23	68.20	68.40	13.45	4.85
60	73.66	74.93	80.90	80.70	13.55	5.00
64	78.74	80.01	85.98	85.78	13.55	5.00

SERIES	1	2	3	4	5	6
[]	[]	[]	[]	[]	[]	[]

Series IDS : IDC Socket Pitch 2.54mm Width 2.54mm
 HIDS : IDC Socket Pitch 2.0mm Width 2.0mm
 HHIDS : IDC Socket Pitch 1.27mm Width 2.54mm
 HHIDSH : IDC Socket Pitch 1.27mm Width 1.27mm

- 1. Number of Contacts See The Table
- 2. Plating Option S : Selective Plated (Standard)
 G : Gold Plated
 T : Tin Plated
- 3. Products Logo A : Custom-Made
 B : Without Logo (Standard)
- 4. Insulator Color 1 : Black (Standard)
- 5. Function A1 : With Strain Relief
 B1 : Without Strain Relief
- 6. Special Project Blank : (Standard)
 P2 : Phosphor Bronze & Double Contacts
 B2 : Brass & Double Contacts

EXAMPLE : HHIDSH 30 S B 1 B1
 IDC Socket Pitch 1.27mm Width 1.27mm
 30 Pin Selective Plated (Standard) Without Logo
 Insulator Color Black Without Strain Relief

Mbrlinkom Technology Ltd.