

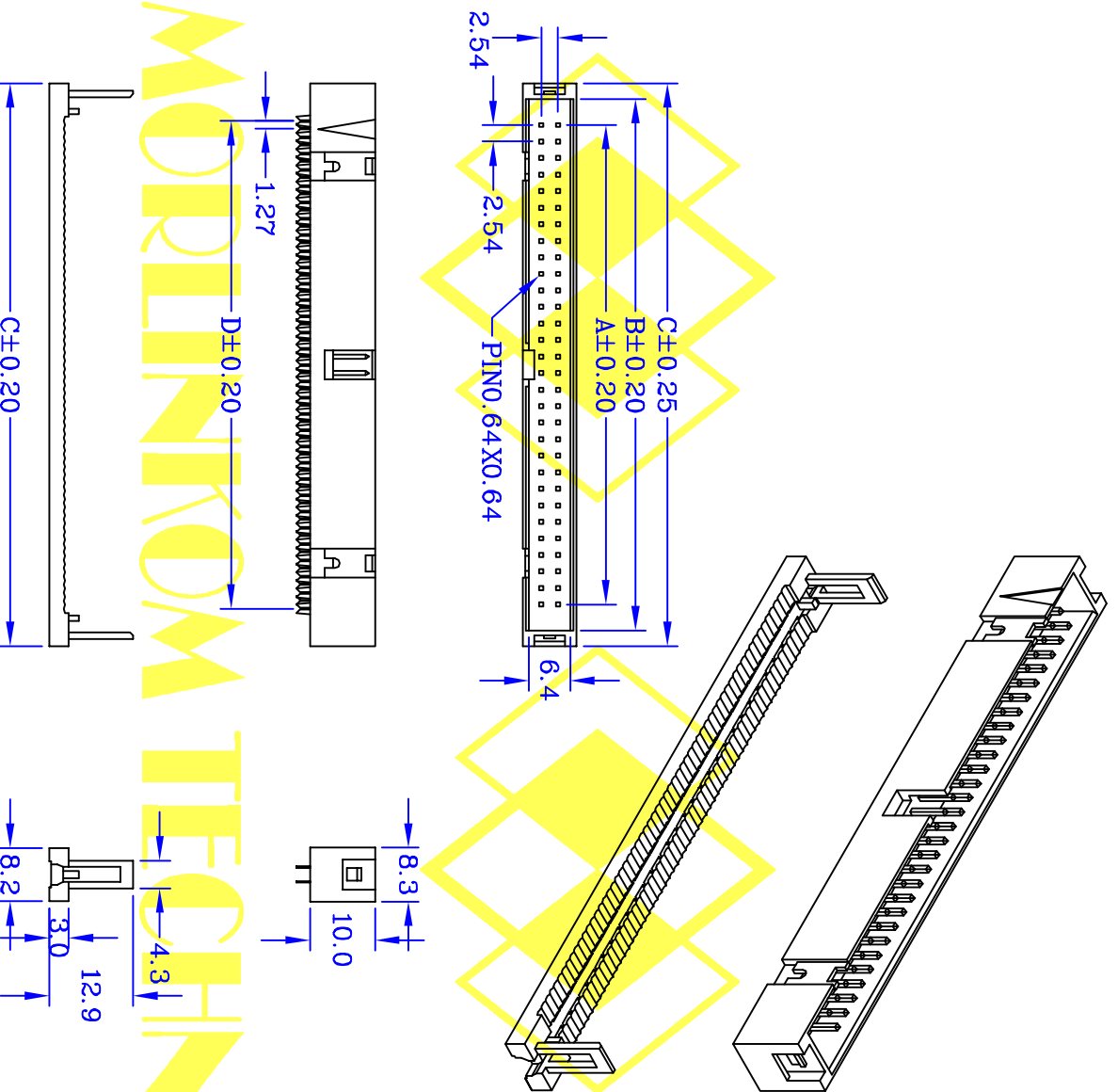
SPECIFICATIONS
ELECTRICAL

- Contact Current Rating : 1 Amperes
- Contact Resistance : 30 mΩ Max
- Insulator Resistance : 1,000 MΩ Min
- Dielectric Withstanding Voltage : 500V AC RMS 60 Seconds

MATERIAL

- Insulator : PBT + 30%Glass Fiber , UL 94V-0
- Contact : Brass
- Contact Plated : Selective Plated (Standard)
Gold Plated , Tin Plated

Operation Temperature : - 40°C to + 150°C



LHFXXGB7 CONTACTS	DIMENSION			
	A	B	C	D
10	10.16	18.15	22.95	11.43
14	15.24	23.23	28.03	16.51
16	17.78	25.77	30.57	19.05
20	22.86	30.85	25.65	24.13
24	27.94	35.93	40.73	29.21
26	30.48	38.47	43.27	31.75
30	35.56	43.55	48.35	36.83
34	40.64	48.63	53.43	41.91
40	48.26	56.25	61.05	49.53
50	60.96	68.95	73.75	62.23
60	73.66	81.65	86.45	74.93
64	78.74	86.73	91.53	80.01

UNIT : mm

MORLINKOM TECHNOLOGY LTD

CENTRONIC PRECISION ELECTRONIC COMPANY MORLINKOM TECHNOLOGY LTD

三川精密電子有限公司 魔林科技有限公司

TEL:886-2-2686-8788 FAX:886-2-2686-0018

E-MAIL: Centron@pts6.seed.net.tw E-MAIL: Cen8888@gmail.com

繪圖	DRAWN BY	日期	DATE
核對	CHECKED BY	比例	SCALE
FUFU	WENDY	1:1	

LHFXXGB7

圖號 320-XX-F
DRAWING NO.