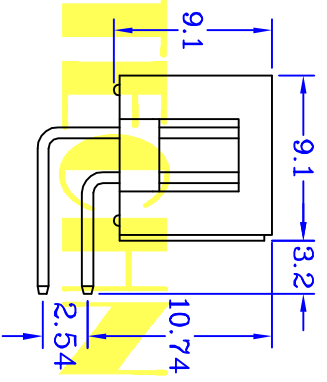
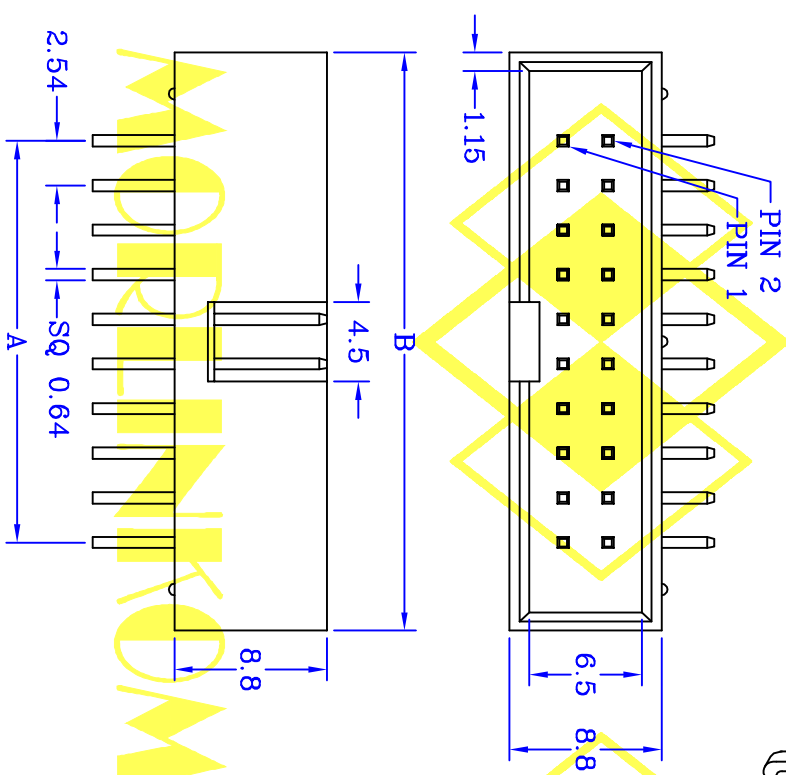
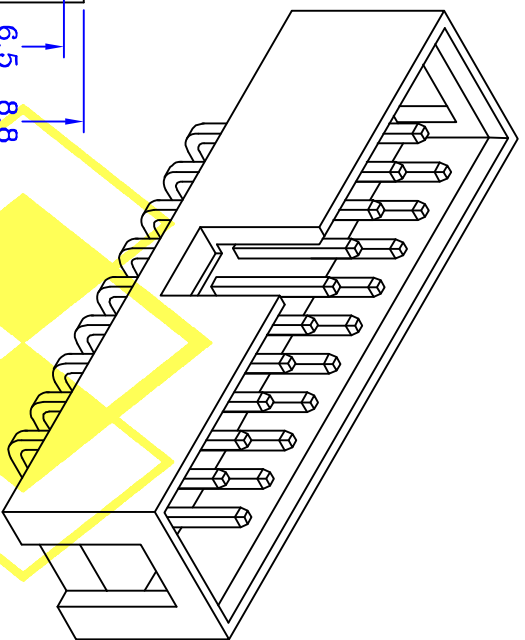


PCB LAYOUT



SPECIFICATIONS

ELECTRICAL

- Contact Current Rating : 3 Amperes
- Contact Resistance : 20 mΩ Max
- Insulator Resistance : 5,000 MΩ Min
- Dielectric Withstanding Voltage : 1,000V AC RMS 1 Min

MATERIAL

- Insulator : PBT , UL 94V-0 , Color/Black
- Contact : Brass
- Contact Plated : Gold Plated (Standard) 、Tin Plated

Operation Temperature : - 40°C to + 150°C

LHRXXGB1 CONTACTS	DIMENSION	
	A	B
06	5.08	15.22
08	7.62	17.76
10	10.16	20.30
12	12.70	22.84
14	15.24	25.38
16	17.78	27.92
18	20.32	30.46
20	22.86	33.00
24	27.94	38.08
26	30.48	40.62
30	35.56	45.70
34	40.64	50.78
40	48.26	58.40
44	53.34	63.48
50	60.96	71.10
60	73.66	83.80
64	78.74	88.88

UNIT : mm

CENTRONIC PRECISION ELECTRONIC COMPANY
 三川精密電子有限公司
 TEL:886-2-2686-8788 FAX:886-2-2686-0018
 E-MAIL: Centron@pts6.seed.net.tw

MORLINKOM TECHNOLOGY LTD
 魔林科技有限公司
 TEL:886-2-2686-8788 FAX:886-2-2686-0018
 E-MAIL: Cen8888@gmail.com

繪圖 DRAWN BY FUFU
 核對 CHECKED BY WENDY
 日期 DATE 2008/12/23
 比例 SCALE 1:1

LHRXXGB1

圖號 330-XX
 DRAWING NO.