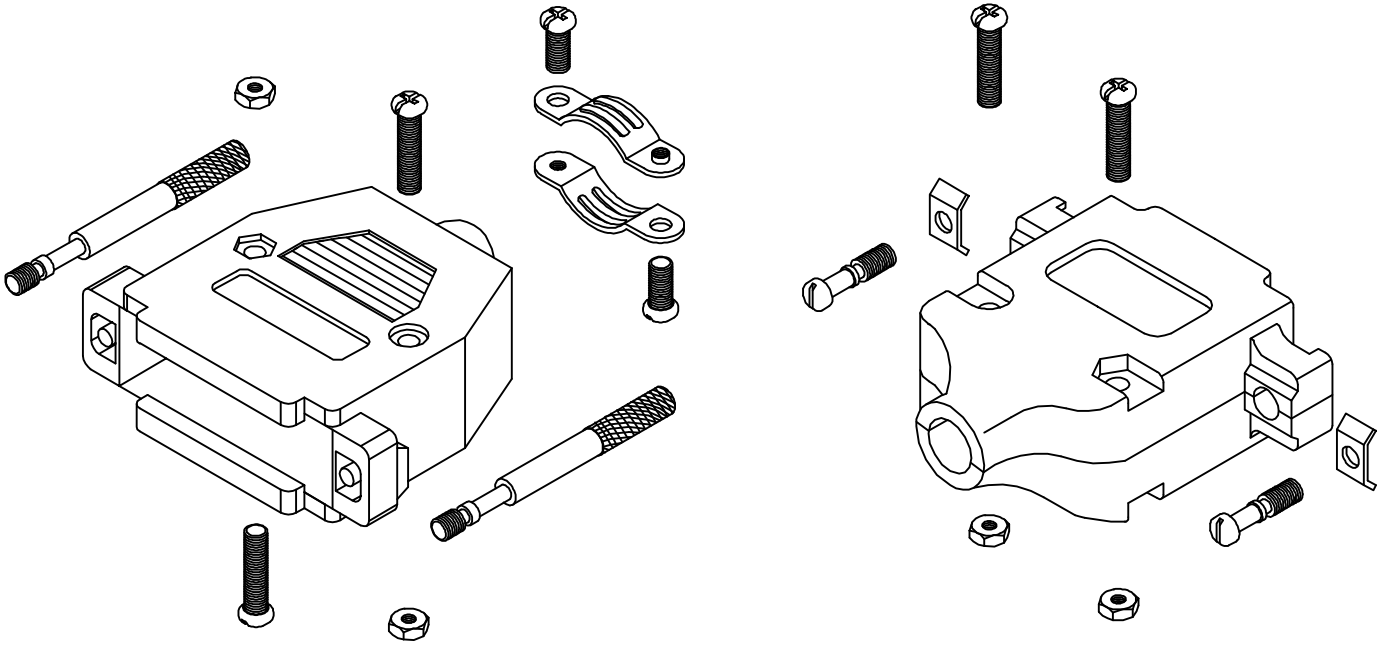


## ORDERING INFORMATION



Series	1	2	3	4
[ ]	— [ ]	— [ ]	— [ ]	— [ ]

- Series    MCU : D-SUB Metal Hood U Type Zine Alloy Nickel Plated  
           MCV : D-SUB Metal Hood V Type Zine Alloy Nickel Plated  
           PCU : D-SUB Plastic Hood U Type  
           PCV : D-SUB Plastic Hood V Type  
           PCVL : D-SUB Plastic Hood V Type Longer screw holder  
           CCU : D-Sub Plastic Hood Nickel plated Overall U Type  
           CCV : D-Sub Plastic Hood Nickel plated Overall V Type

1. D-SUB Number of Contacts    09   15   25   37   50
2. Products Logo                    A : Custom-Made  
   B : Without Logo ( Standard )
3. Insulator Color                    1 : Black  
   7 : Grey  
   8 : Metal
4. Screw type                        A1 : Standard Type  
   B1 : Longer screws  
   D1 : Quick Assembly Type

**EXAMPLE :** PCV 25 B 7 D 1  
 D-SUB Plastic Hood V Type  
 Assembly D-SUB 25 Pin Without Logo  
 Insulator Color Grey Quick Assembly Type

Mbrlinkom Technology Ltd.