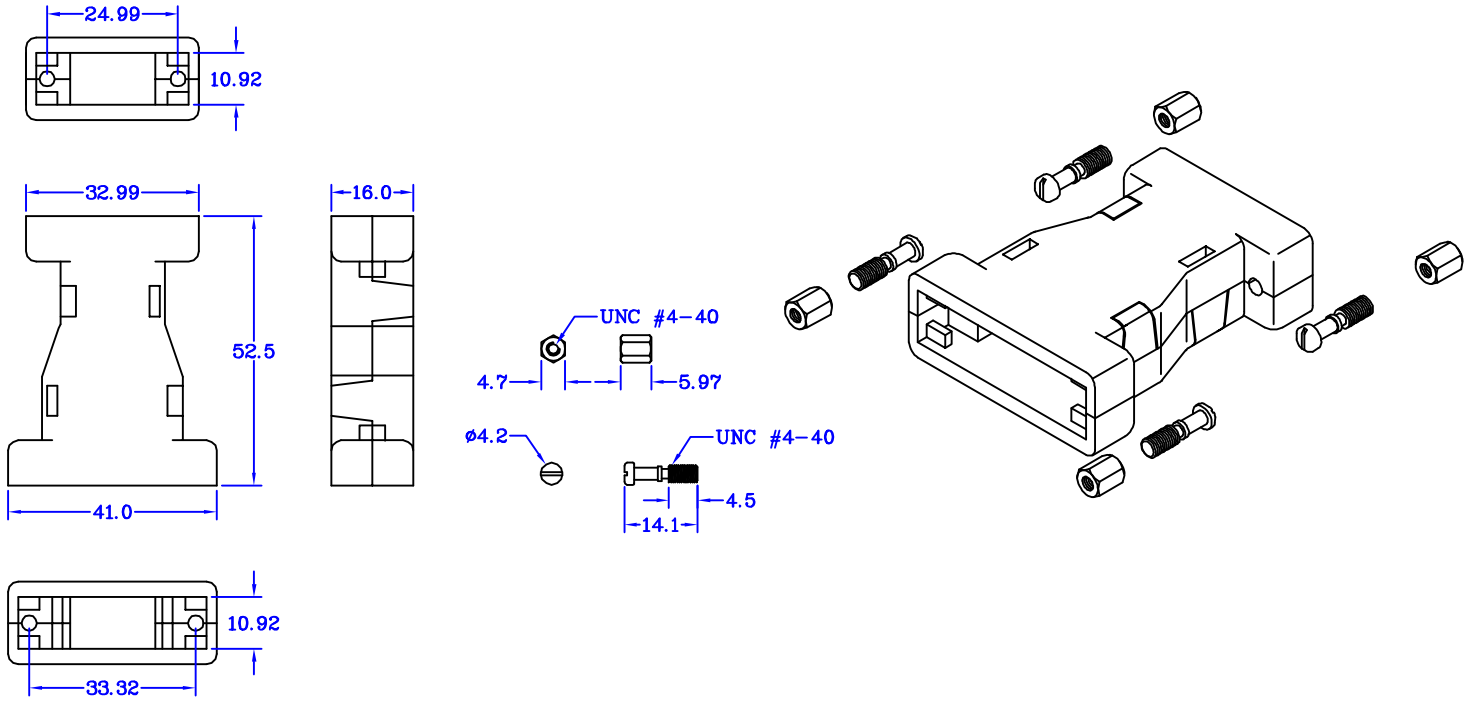


# ORDERING INFORMATION



Series	1	2	3
[ ]	— [ ] —	[ ] —	[ ]

Series

PCV : Plastic Hood For D-SUB Gender Changer

1. D-SUB Gender Changer  
Number of Contacts

9 / 9 15 / 15 15 / 9 25 / 9 25 / 25

2. Products Logo

A : Custom-Made  
B : Without Logo ( Standard )

3. Insulator Color

7 : Grey  
8 : Metal

**EXAMPLE :** PCV 15/9 B 7

Plastic Hood For D-SUB Gender Changer  
Changer Number of Contacts 15 Pin To 9 Pin  
Without Logo Insulator Color Grey

Mrlinkom Technology Ltd.