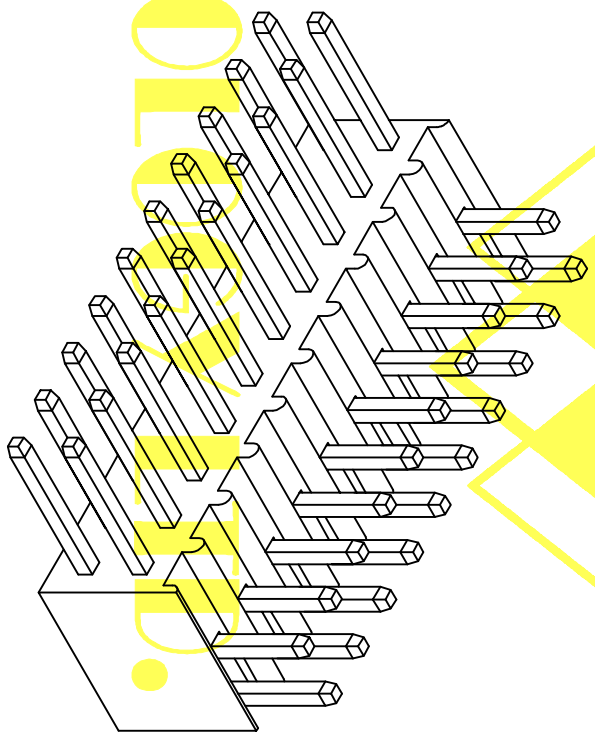
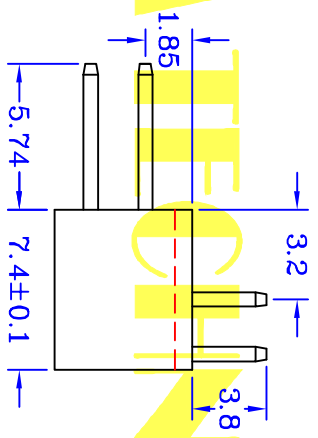
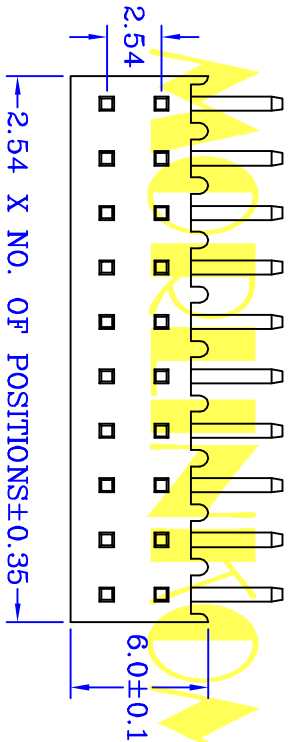
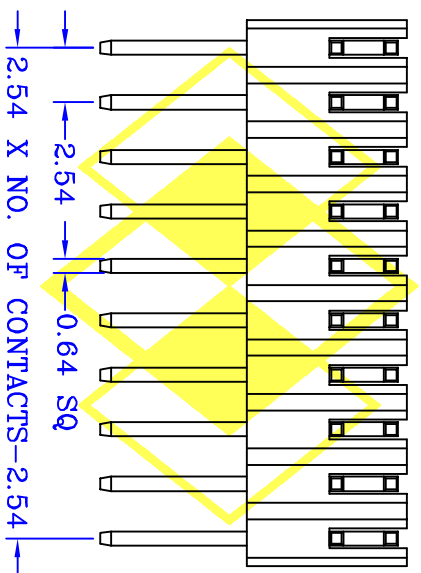


SPECIFICATIONS
ELECTRICAL

- Contact Current Rating : 3 Amperes
- Contact Resistance : 20 mΩ Max
- Insulator Resistance : 1,000 MΩ Min
- Dielectric Withstanding Voltage : 600 V AC RMS 60 Seconds

MATERIAL

- Insulator : PBT UL 94V-0
- Contact : Brass
- Contact Plated : Gold Plated , Tin Plated , Selective Plated
- Operation Temperature : - 40°C to + 105°C



UNIT : mm

CENTRONIC PRECISION ELECTRONIC COMPANY MORLINKOM TECHNOLOGY LTD
 三川精密電子有限公司 魔林科技有限公司
 TEL:886-2-2686-8788 FAX:886-2-2686-0018
 E-MAIL: Centron@tpts6.seed.net.tw E-MAIL: Cen8888@gmail.com

繪圖 DRAWN BY
FU-FU
核對 CHECKED BY
WENDY

日期 DATE
2011/02/21
比例 SCALE
1:1

PHAR2XXGB1

圖號 DRAWING NO.
130-XX