

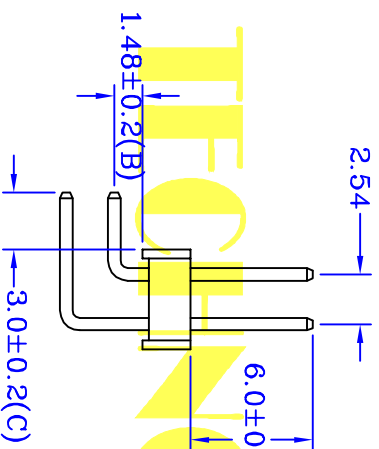
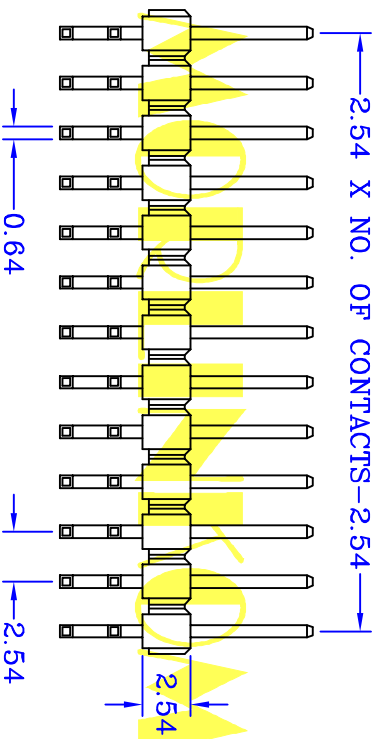
### SPECIFICATIONS

#### ELECTRICAL

- Contact Current Rating : 3 Amperes
- Contact Resistance : 20 mΩ Max
- Insulator Resistance : 1,000 MΩ Min
- Dielectric Withstanding Voltage : 600 V AC RMS 60 Seconds

#### MATERIAL

- Insulator : PBT UL 94V-0
- Contact : Brass
- Contact Plated : Gold Plated , Tin Plated , Selective Plated
- Operation Temperature : - 40°C to + 105°C



A = mm  
B = mm  
C = mm

UNIT : mm

CENTRONIC PRECISION ELECTRONIC COMPANY

MORLINKOM TECHNOLOGY LTD

三川精密電子有限公司

魔林科技有限公司

TEL:886-2-2686-8788 FAX:886-2-2686-0018

E-MAIL: Centron@pts6.seed.net.tw E-MAIL: Cen8888@gmail.com

繪圖 DRAWN BY

FUFU

日期 DATE

2009/11/06

核對 CHECKED BY

WENDY

比例 SCALE

1:1

PHR2XXGB1XX

圖號

110-XX-XX

DRAWING NO.