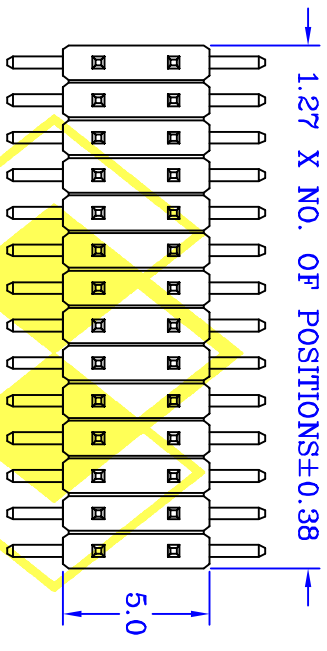


**SPECIFICATIONS**  
**ELECTRICAL**

- Contact Current Rating : 1 Amperes
- Contact Resistance : 15 mΩ Max
- Insulator Resistance : 5,000 MΩ Min
- Dielectric Withstanding Voltage : 500 V AC RMS 60 Seconds

**MATERIAL**

- Insulator : Nylon-6T , UL 94-0
- Contact : Brass
- Contact Plated : Gold Plated , Tin Plated , Selective Plated
- Operation Temperature : - 40°C to + 105°C



P	3.0	2.5	1.7
---	-----	-----	-----

A = mm

B = mm

C = mm

2.54

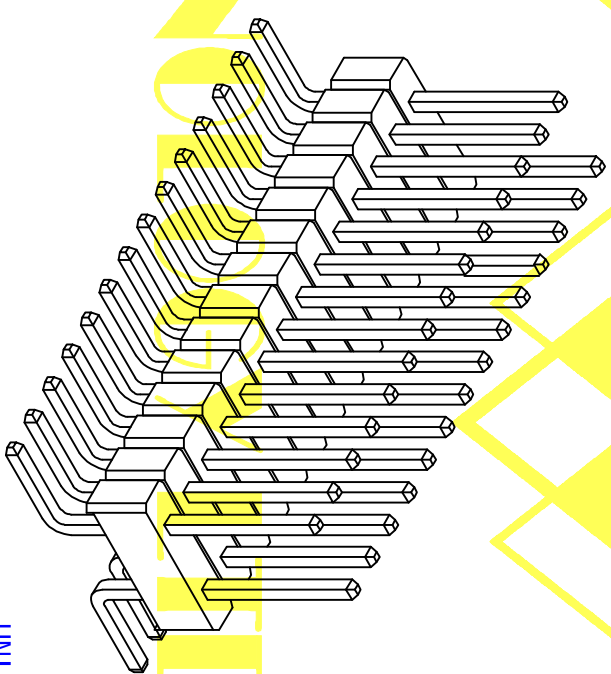
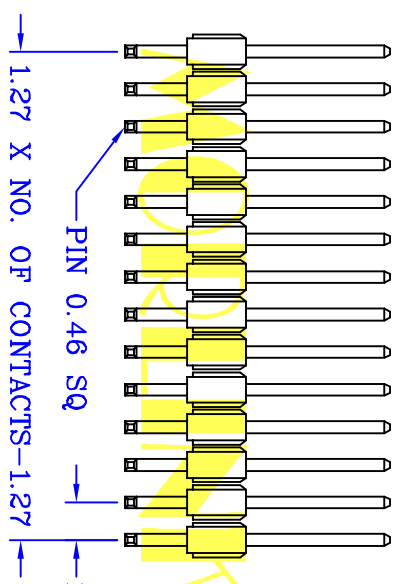
6.0±0.2(A)

2.0(P)

5.0±0.2(C)

2.0±0.2(B)

1.27



UNIT : mm

CENTRONIC PRECISION ELECTRONIC COMPANY MORLINKOM TECHNOLOGY LTD

三川精密電子有限公司 魔林科技有限公司  
 TEL:886-2-2686-8788 FAX:886-2-2686-0018  
 E-MAIL: Centron@pts6.seed.net.tw E-MAIL: Cen8888@gmail.com

繪圖	DRAWN BY	日期	DATE
核對	FUFU	2009/03/10	
CHECKED BY	WENDY	比例	SCALE
		1:1	

SHHPHS2XXGB1XX

圖號 866S-XX-XX  
DRAWING NO.