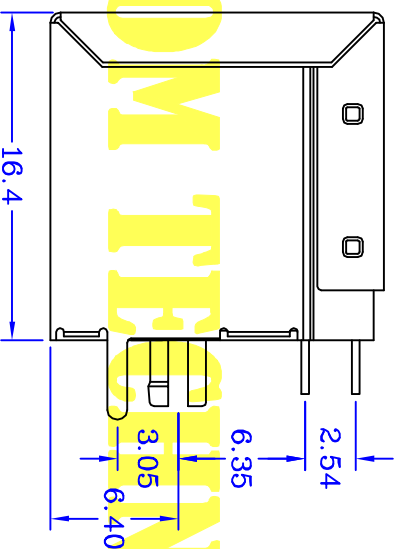
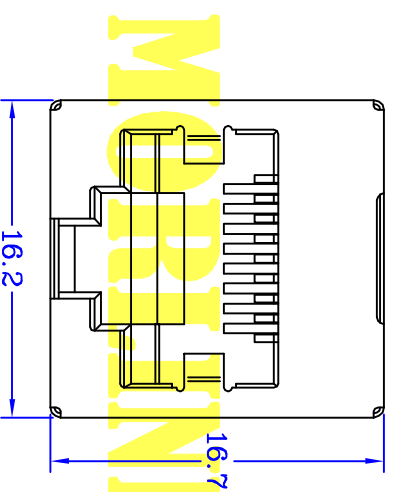


SPECIFICATIONS

ELECTRICAL

- Contact Current Rating : 1 Ampere
 - Contact Resistance : 30 mΩ Max
 - Insulator Resistance : 500 MΩ Min
 - Dielectric Withstanding Voltage : 500 V AC RMS 60 Seconds
 - Operating Voltage : 150V AC Max
- ### MATERIAL
- Insulator : Thermoplastic UL94V-0
 - Contact : 0.35mm Thickness Phosphor Bronze
 - Contact Plated : Gold Plated , Tin Plated , Selective Plated
 - Shield : Nickel Plated Brass Alloy

UNIT : mm



MORLINKOM TECHNOLOGY LTD.

CENTRONIC PRECISION ELECTRONIC COMPANY

三川精密電子有限公司

TEL:886-2-2686-8788

E-MAIL: Centron@tpts6.seed.net.tw

MORLINKOM TECHNOLOGY LTD

魔林科技有限公司

FAX:886-2-2686-0018

E-MAIL: Cen8888@gmail.com

繪圖 DRAWN BY

FUFU

核對 CHECKED BY

WENDY

日期 DATE

2011/03/30

比例 SCALE

1:1

RJ45S8P8CBI#1B

圖號

851-17

DRAWING NO.