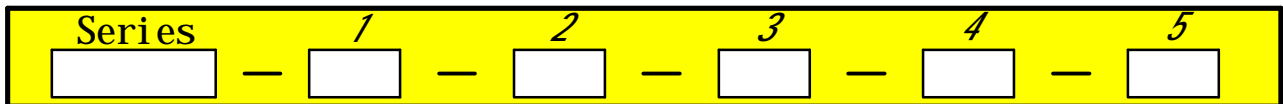
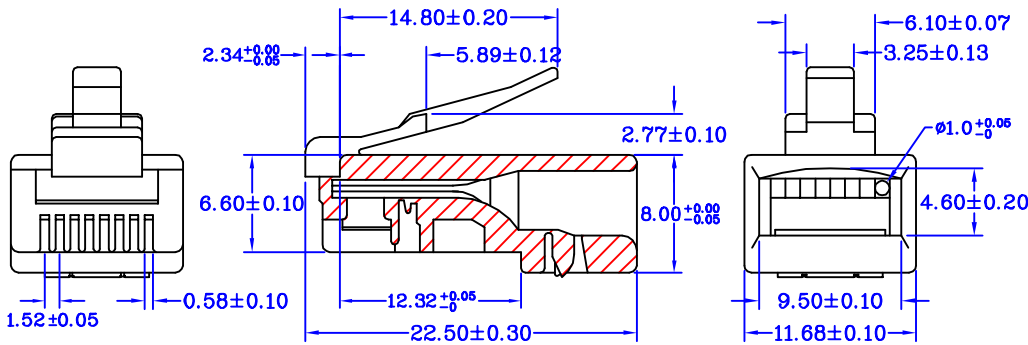
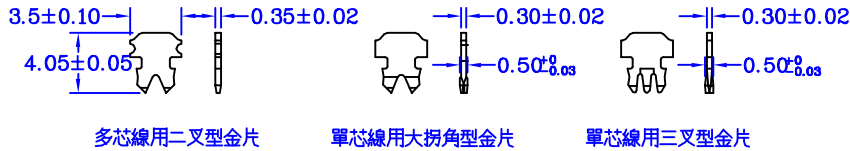
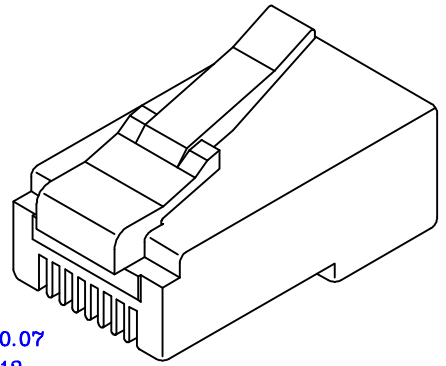


ORDERING INFORMATION



Series RJ11P : RJ11 Telephone Modular Connector Plug
 RJ45P : RJ45 Network Modular Connector Plug

1.Number of Contacts 6P4C : 6 Position 4 Conductor
 6P6C : 6 Position 6 Conductor
 8P8C : 8 Position 8 Conductor
 10P8C : 10 Position 8 Conductor

2. Plating Option G : Gold Plated (Standard)
 T : Tin Plated
 S : Selective Plated

3. Products Logo A : Custom-Made
 B : Without Logo (Standard)

4. Insulator Color 15 : Transparent (Standard)

5. Shielded Type Blank : Without Shielded
 #1 : With Metal Shielded
 #2 : With Partial Metal Shielded

EXAMPLE : RJ45P 8P8C G B 15
 RJ45 Network Modular Connector Plug
 8 Position 8 Conductor Contact Gold Plated
 Without Logo Insulator Color : Transparent
 Without Shielded

Mbrlinkom Technology Ltd.