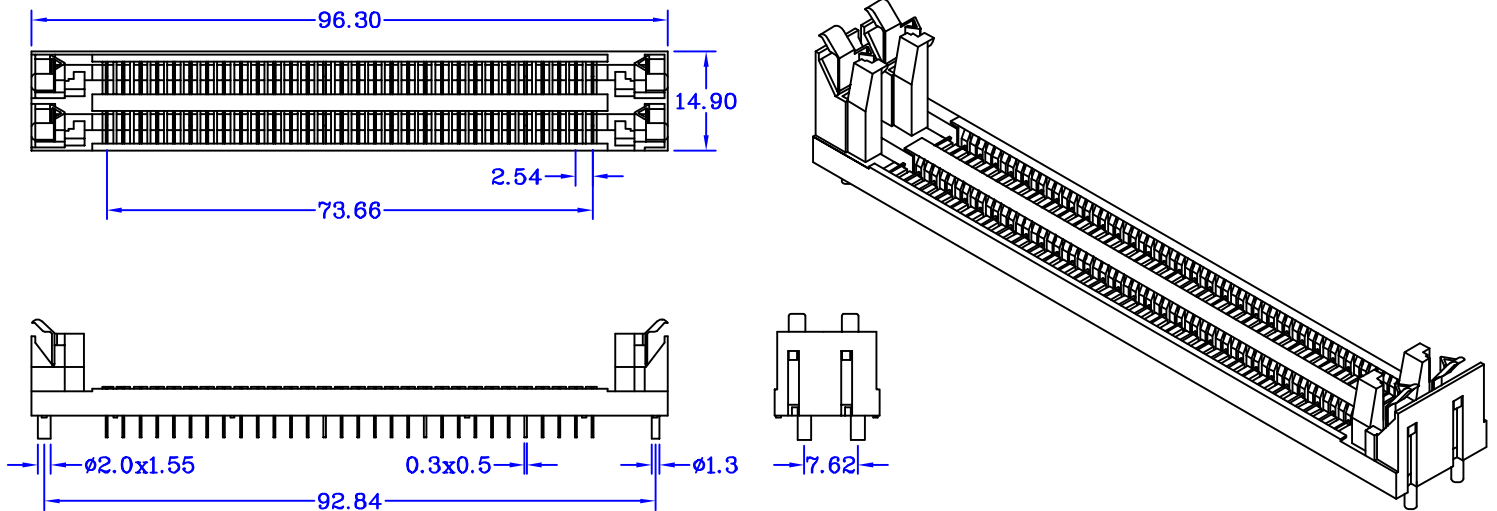


ORDERING INFORMATION



SERIES	1	2	3	4	5	6
<input type="text"/>	<input type="text"/>	<input type="text"/>	<input type="text"/>	<input type="text"/>	<input type="text"/>	<input type="text"/>

- Series** RMS : Simm Socket
 RMR : Simm Socket Right Angle
- 1. Row Type** 1 : Single Row
 2 : Dual Rows
- 2. Number of Contacts** 30 60 72 144
- 3. Plating Option** G : Gold Plated
 T : Tin Plated (Standard)
 S : Selective Plated
- 4. Products Logo** A : Custom-Made
 B : Without Logo (Standard)
- 5. Insulator Color** 4 : White & Plastic Ear
 8 : White & Metal Ear
- 6. Position of Key** R : Right
 L : Left

EXAMPLE : RMS 2 60 T B 4 R
 Pitch 2.54mm Simm Socket
 Dual Rows 60 Pin(2 x 30)
 Tin Plated Without Logo
 Insulator Color White Right Key

Mrlinkom Technology Ltd.