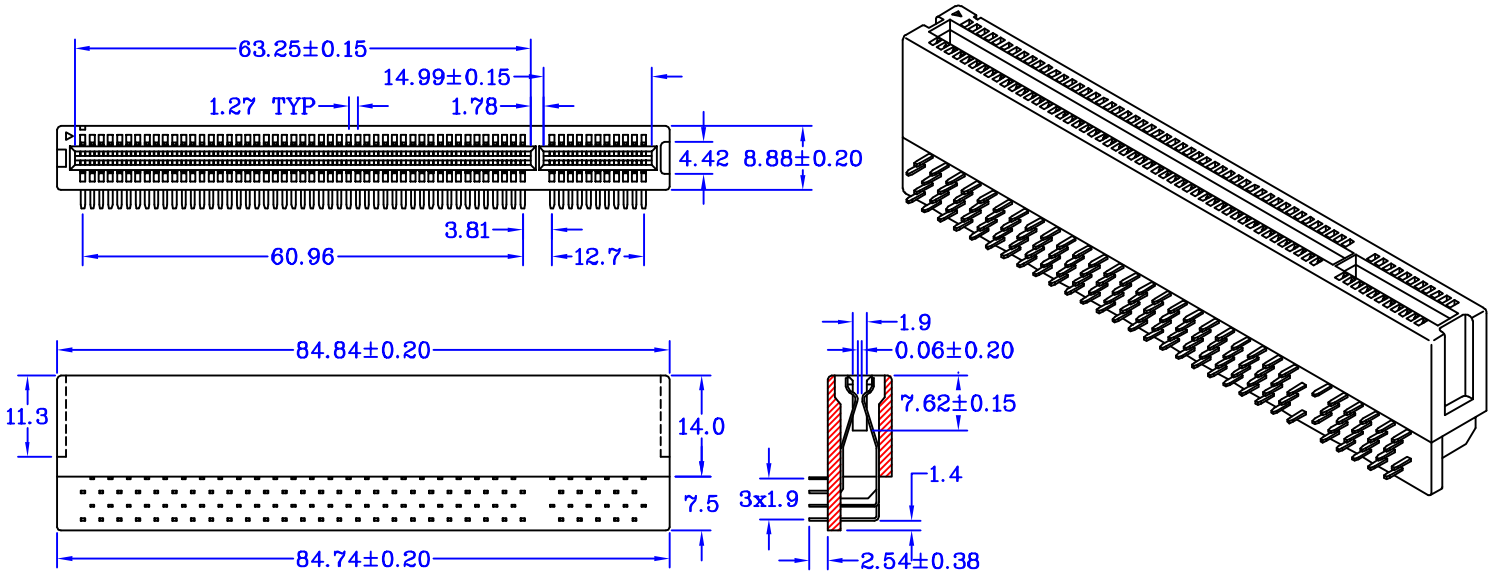


ORDERING INFORMATION



SERIES	1	2	3	4	5	6
<input style="width: 80px; height: 20px;" type="text"/>	<input style="width: 40px; height: 20px;" type="text"/>	<input style="width: 40px; height: 20px;" type="text"/>	<input style="width: 40px; height: 20px;" type="text"/>	<input style="width: 40px; height: 20px;" type="text"/>	<input style="width: 40px; height: 20px;" type="text"/>	<input style="width: 40px; height: 20px;" type="text"/>

- | | |
|------------------------------|--|
| Series | PCI : Pitch 1.27mm Edge PCI Connector |
| 1. Terminal Type | S : Straight Termination
R : Right Angle Termination |
| 2. Number of Contacts | 120 |
| 3. Plating Option | S : Selective Plated
G : Gold Plated
T : Tin Plated (Standard) |
| 4. Products Logo | A : Custom-Made
B : Without Logo (Standard) |
| 5. Insulator Color | 4 : White |
| 6. Products Type | Blank : Straight Terminal
R : Termination Right Type
L : Termination Left Type |

EXAMPLE : PCI R 120 T B 4 R
 Pitch 1.27mm Edge PCI Connector
 Right Angle Terminal 120 Pin Tin Plated Without Logo
 Insulator Color White & Termination Right Type

Mbrlinkom Technology Ltd.