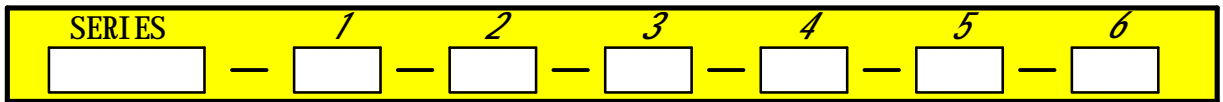
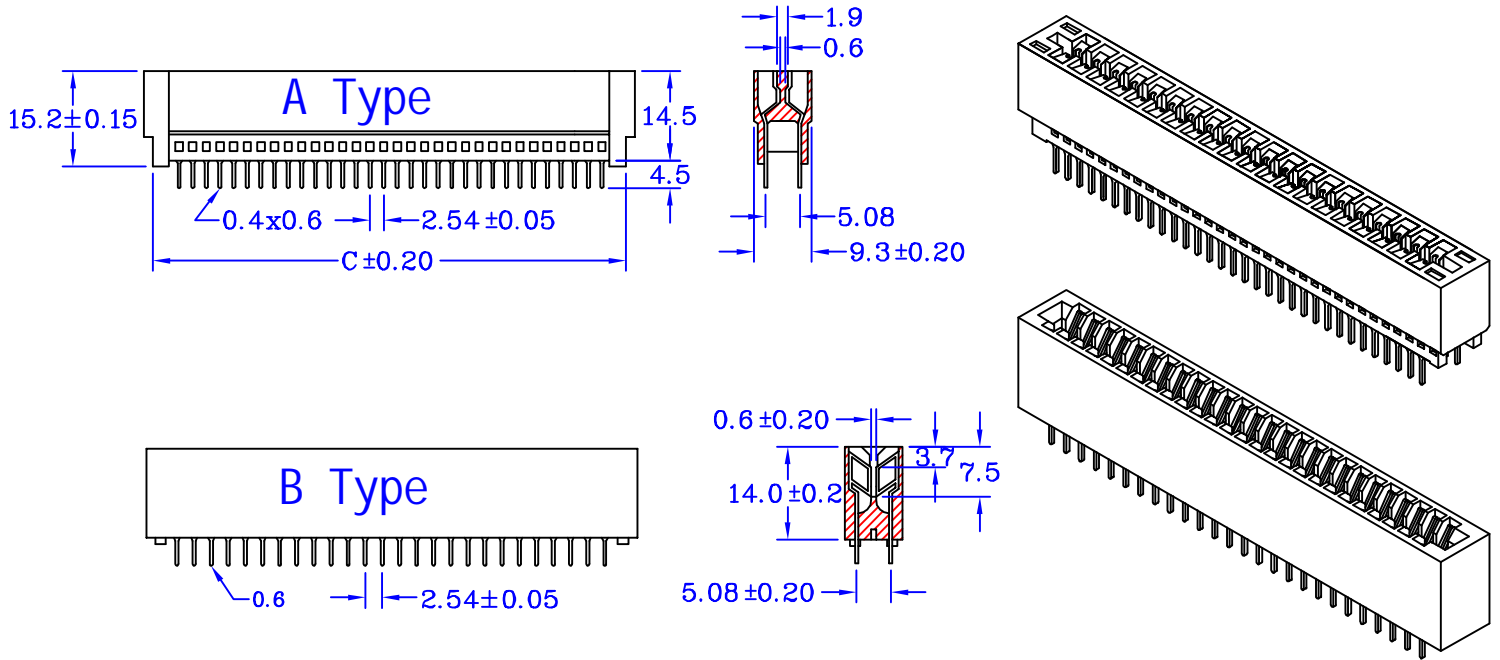


# ORDERING INFORMATION



- |                       |   |
|-----------------------|---|
| Series                | EC : Pitch 2.54mm Edge Connector<br>ECN : Pitch 2.54mm Edge Connector With Mounting Ears  |
| 1. Terminal Type      | S : Straight Termination<br>R : Right Angle Termination   |
| 2. Number of Contacts | 06 08 10 12 14 16 18 20 22 24 26 28 30 32 34 36 38 40<br>42 44 46 48 50 52 54 56 58 60 62 64 66 68 70 72 80 86<br>92 98 100 106 110 120 |
| 3. Plating Option     | S : Selective Plated( Standard )<br>G : Gold Plated<br>T : Tin Plated   |
| 4. Products Logo      | A : Custom-Made<br>B : Without Logo ( Standard )  |
| 5. Insulator Color    | 1 : Black   |
| 6. Products Type      | A : A Type<br>B : B Type  |

**EXAMPLE :** EC S 62 S B 1 B  
 Pitch 2.54mm Edge Connector  
 Straight Termination 62 Pin Selective Plated  
 Without Logo Insulator Color Black B Type

## Mrlinkom Technology Ltd.