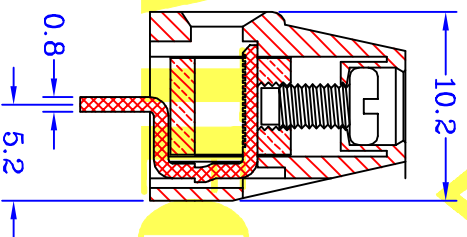
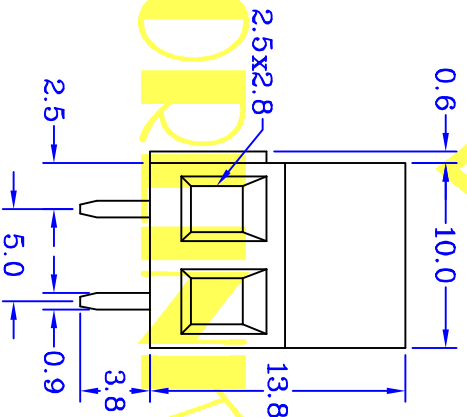
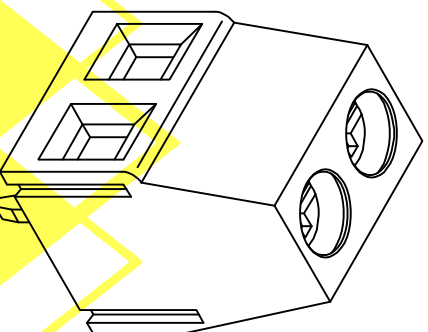


PCB LAYOUT



## SPECIFICATIONS

### ELECTRICAL

- Contact Current Rating : 10 Amperes
- Contact Resistance : 20 mΩ Max
- Insulator Resistance : 5,000 MΩ Min
- Dielectric Withstanding Voltage : 1,500V AC RMS 60 Seconds
- Voltage Rating : 300 VAC
- Wire Range : 12-24 AWG

### MATERIAL

- Insulator : Polyamide+G. F. UL94V-0
- Contact : Brass
- Metal Housing : Brass Machined
- Screws : Steel Galvanized and Achromatized
- Surface of Solder Tail : Tin Plated
- Operation Temperature : - 33°C to +120°C

UNIT : mm

CENTRONIC PRECISION ELECTRONIC COMPANY

三川精密電子有限公司

TEL:886-2-2686-8788 FAX:866-2-2686-0018  
E-MAIL: Centron@ipts6.seed.net.tw

MORLINKOM TECHNOLOGY LTD

魔林科技有限公司

E-MAIL: Cen8888@gmail.com

繪圖 DRAWN BY

FUFU

日期 DATE

2011/03/29

核對 CHECKED BY

WENDY

比例 SCALE

1:1

圖號

854-04

DRAWING NO.

TBA02TB6