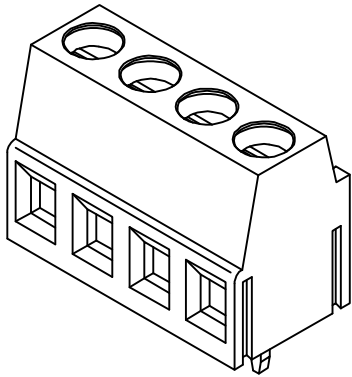
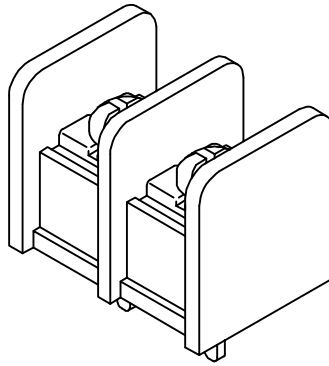


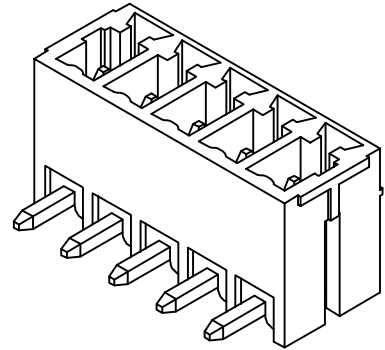
ORDERING INFORMATION



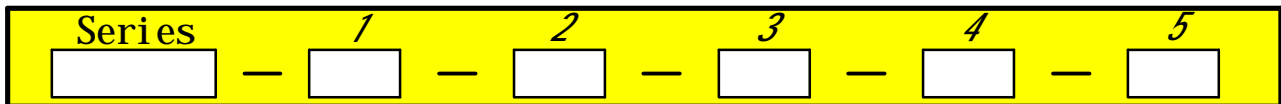
A Type



C Type



D Type



Series TBA : Terminal Blocks A Type Pitch 5.0mm H=13.8mm
TBC : Terminal Blocks C Type Pitch 11mm H=23.8mm
TBD : Terminal Blocks (Header) D Type Pitch 3.5mm H=9.2mm

1. Number of Contacts 02 ~ 29 Contacts
2. Plating Option T : Tin Plated (Standard)
3. Products Logo A : Custom-Made
B : Without Logo (Standard)
4. Insulator Color 1 : Black (Standard)
6 : Green

EXAMPLE : TBA 20 T B 6
Terminal Blocks A Type Pitch 5.0mm H = 13.8mm
20 Pin Tin Plated Without Logo
Insulator Color Green

Mbrlinkom Technology Ltd.