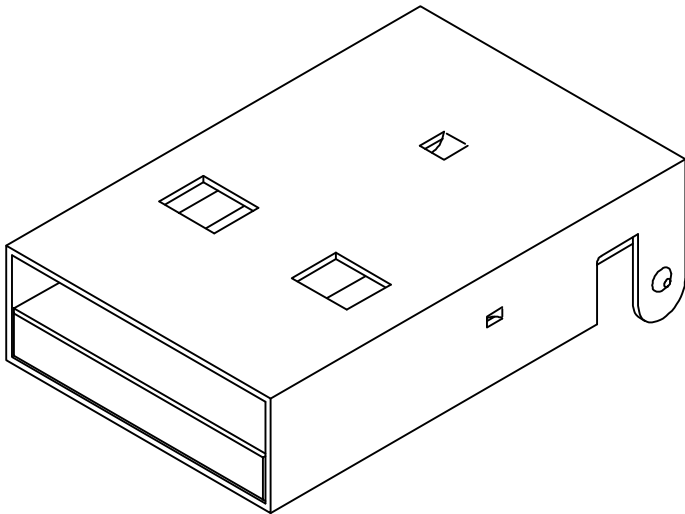
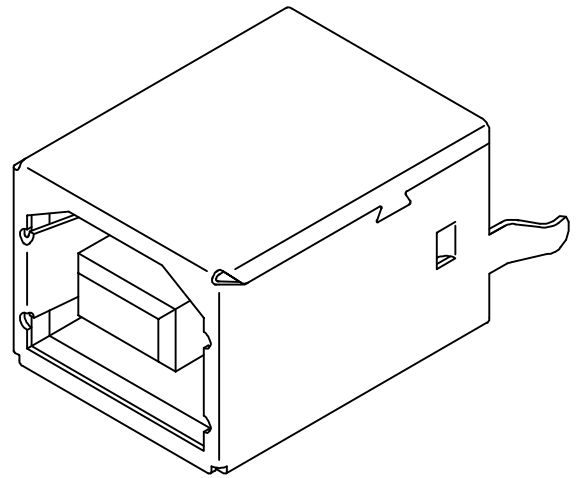


ORDERING INFORMATION



A Type



B Type

Series	1	2	3	4	5
<input type="text"/>	<input type="text"/>	<input type="text"/>	<input type="text"/>	<input type="text"/>	<input type="text"/>

Series USB : USB Socket Dip Type
 SUSB : USB Socket SMT Type
 MUSB : Mini USB Socket Dip Type
 SMUSB : Mini USB Socket SMT Type
 PUBS : USB Plug Dip Type
 SPUSB : USB Plug SMT Type

1. Units Type Blank : Single
 2 : Double Stacks
 3 : Triple Stacks

2. USB Category A : A Type B : B Type

3. Mounting Type S : Straight
 R : Right Angle

4. Insulator Color 1 : Black
 4 : White

5. Version blank : Version 1.1
 2 : Version 2.0
 3 : Version 3.0

EXAMPLE : USB A R 4
 USB Socket Dip Type
 A Type Right Angle
 Insulator Color White

Mbrlinkom Technology Ltd.