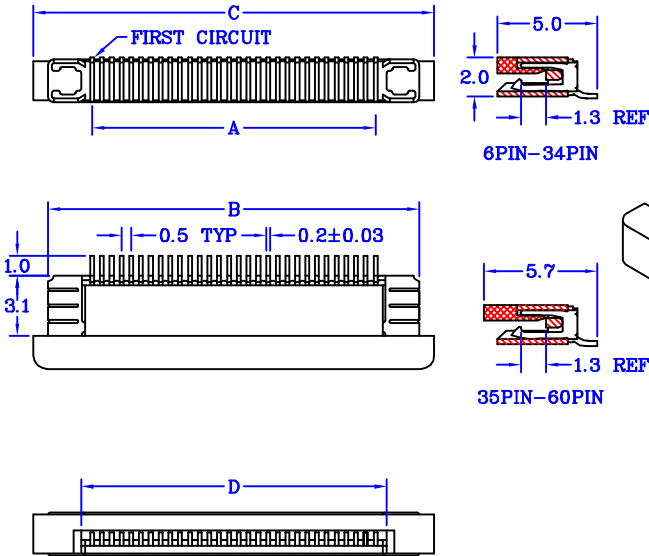
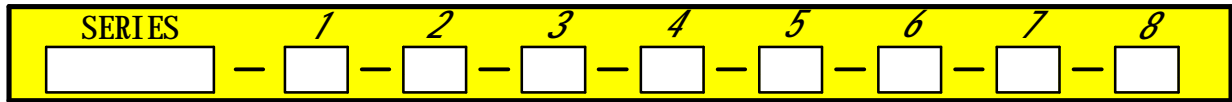


ORDERING INFORMATION



CONTACTS	DIMENSIONS				CONTACTS	DIMENSIONS			
	A	B	C	D		A	B	C	D
4	1.50	6.50	7.60	2.80	28	13.50	18.50	19.60	14.60
6	2.00	7.00	8.10	3.10	29	14.00	19.00	20.10	15.10
8	2.50	7.50	8.60	3.60	30	14.50	19.50	20.60	15.60
7	3.00	8.00	9.10	4.10	31	15.00	20.00	21.10	16.10
8	3.50	8.50	9.60	4.60	32	15.50	20.50	21.60	16.60
9	4.00	9.00	10.10	5.10	33	16.00	21.00	22.10	17.10
10	4.50	9.50	10.60	5.60	34	16.50	21.50	22.60	17.60
11	5.00	10.00	11.10	6.10	35	17.00	22.00	23.10	18.10
12	5.50	10.50	11.60	6.60	36	17.50	22.50	23.60	18.60
13	6.00	11.00	12.10	7.10	37	18.00	23.00	24.10	19.10
14	6.50	11.50	12.60	7.60	38	18.50	23.50	24.60	19.60
15	7.00	12.00	13.10	8.10	39	19.00	24.00	25.10	20.10
16	7.50	12.50	13.60	8.60	40	19.50	24.50	25.60	20.60
17	8.00	13.00	14.10	9.10	41	20.00	25.00	26.10	21.10
18	8.50	13.50	14.60	9.60	42	20.50	25.50	26.60	21.60
19	9.00	14.00	15.10	10.10	43	21.00	26.00	27.10	22.10
20	9.50	14.50	15.60	10.60	44	21.50	26.50	27.60	22.60
21	10.00	15.00	16.10	11.10	45	22.00	27.00	28.10	23.10
22	10.50	15.50	16.60	11.60	46	22.50	27.50	28.60	23.60
23	11.00	16.00	17.10	12.10	47	23.00	28.00	29.10	24.10
24	11.50	16.50	17.60	12.60	48	23.50	28.50	29.60	24.60
25	12.00	17.00	18.10	13.10	49	24.00	29.00	30.10	25.10
26	12.50	17.50	18.60	13.60	50	24.50	29.50	30.60	25.60
27	13.00	18.00	19.10	14.10	54	26.50	31.50	32.60	27.60
					60	29.50	34.50	35.60	30.60



Series 0.5FPC : Pitch 0.5mm FFC/FPC Connectors
 1.0FPC : Pitch 1.0mm FFC/FPC Connectors
 2.54FPC : Pitch 2.54mm FFC/FPC Connectors

1. Assembly Direction S : Vertical
 R : Right Angle
2. Number of Contacts See The Table
3. Plating Option T : Tin Plated (Standard)
 G : Gold Plated
4. Products Logo A : Custom-Made
 B : Without Logo (Standard)
5. Insulator Color 4 : White 1: Black
6. Terminal Type S : SMT Type P : DIP Type
7. Contacts location Blank : Vertical or Dual Beam Contact
 D : Bottom
 U : Upper
8. Product Style P : Opened Type
 NZ : NON-ZIF Type
9. Packing T1 : Tube T2 : Tube & With Cap
 R1 : Reel R2 : Reel & With Cap

EXAMPLE : 0.5FPC R 20 T B 4 S D P T1

Pitch 0.5mm FFC/FPC Connectors
 Right Angle 20 Pin Tin Plated Without Logo
 Insulator Color White SMT Type
 Bottom Contacts Opened Type Packing - Tube

Mbrlinkom Technology Ltd.