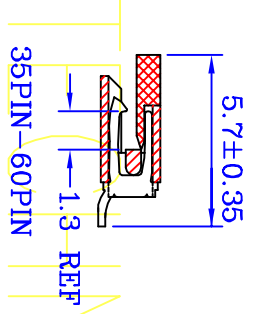
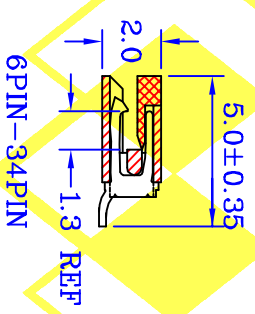
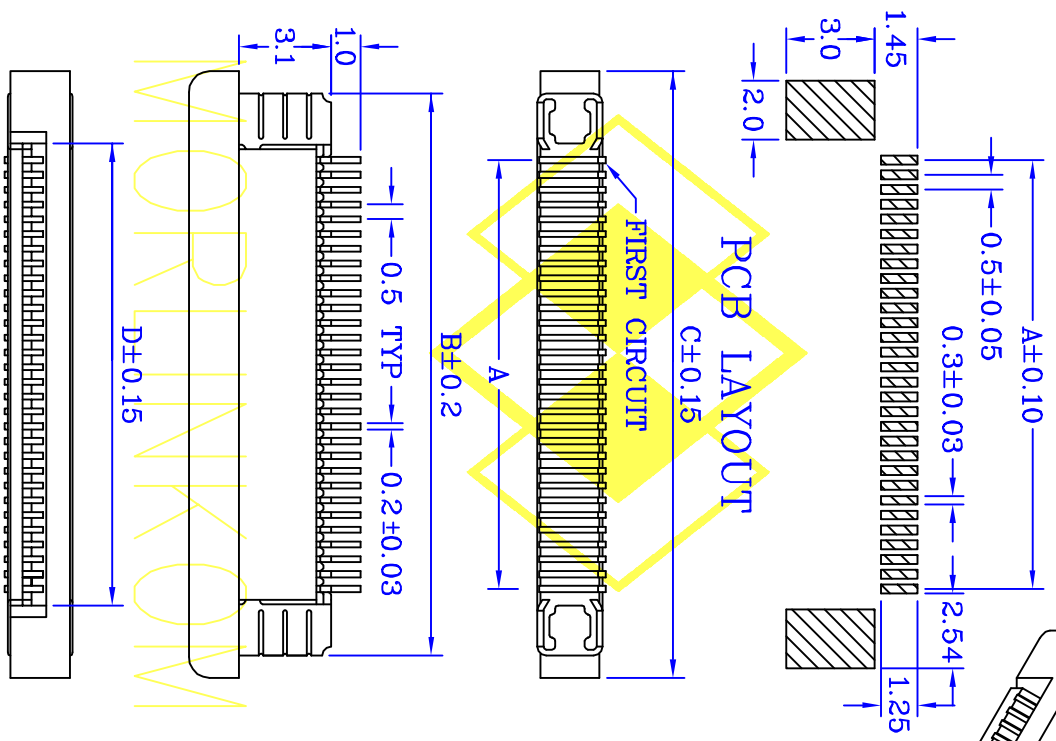


### PCB LAYOUT



### SPECIFICATIONS

#### ELECTRICAL

- Contact Current Rating : 0.5 Ampere
- Contact Resistance : 20 mΩ Max
- Insulator Resistance : 500 MΩ Min
- Dielectric Withstanding Voltage : 200 V AC RMS 60 Seconds
- Voltage Rating : 50 V

#### MATERIAL

- Insulator : LCP6807, Cover : LCP6130
- Contact : Phosphor Bronze
- Plated : Gold Plated, Tin Plated, Selective Plated
- Operation Temperature : - 25°C to + 85°C

DIMENSION	DIMENSIONS				DIMENSION	DIMENSIONS			
	A	B	C	D		A	B	C	D
CONTACTS	A	B	C	D	CONTACTS	A	B	C	D
1	1.50	6.50	7.60	2.60	28	13.50	18.50	19.60	14.60
4	2.00	7.00	8.10	3.10	29	14.00	19.00	20.10	15.10
5	2.50	7.50	8.60	3.60	30	14.50	19.50	20.60	15.60
6	3.00	8.00	9.10	4.10	31	15.00	20.00	21.10	16.10
7	3.50	8.50	9.60	4.60	32	15.50	20.50	21.60	16.60
8	4.00	9.00	10.10	5.10	33	16.00	21.00	22.10	17.10
9	4.50	9.50	10.60	5.60	34	16.50	21.50	22.60	17.60
10	5.00	10.00	11.10	6.10	35	17.00	22.00	23.10	18.10
11	5.50	10.50	11.60	6.60	36	17.50	22.50	23.60	18.60
12	6.00	11.00	12.10	7.10	37	18.00	23.00	24.10	19.10
13	6.50	11.50	12.60	7.60	38	18.50	23.50	24.60	19.60
14	7.00	12.00	13.10	8.10	39	19.00	24.00	25.10	20.10
15	7.50	12.50	13.60	8.60	40	19.50	24.50	25.60	20.60
16	8.00	13.00	14.10	9.10	41	20.00	25.00	26.10	21.10
17	8.50	13.50	14.60	9.60	42	20.50	25.50	26.60	21.60
18	9.00	14.00	15.10	10.10	43	21.00	26.00	27.10	22.10
19	9.50	14.50	15.60	10.60	44	21.50	26.50	27.60	22.60
20	10.00	15.00	16.10	11.10	45	22.00	27.00	28.10	23.10
21	10.50	15.50	16.60	11.60	46	22.50	27.50	28.60	23.60
22	11.00	16.00	17.10	12.10	47	23.00	28.00	29.10	24.10
23	11.50	16.50	17.60	12.60	48	23.50	28.50	29.60	24.60
24	12.00	17.00	18.10	13.10	49	24.00	29.00	30.10	25.10
25	12.50	17.50	18.60	13.60	50	24.50	29.50	30.60	25.60
26	13.00	18.00	19.10	14.10	54	26.50	31.50	32.60	27.60
27	13.00	18.00	19.10	14.10	60	29.50	34.50	35.60	30.60

UNIT : mm

CENTRONIC PRECISION ELECTRONIC COMPANY MORLINIKOM TECHNOLOGY LTD  
 三川精密電子有限公司 魔林科技有限公司  
 TEL:886-2-2686-8788 FAX:886-2-2686-0018  
 E-MAIL: Centron@pts6.seed.net.tw E-MAIL: Cen8888@gmail.com

繪圖 DRAWN BY 日期 DATE  
 FUFU 2012/12/25  
 核對 CHECKED BY 比例 SCALE  
 WENDY 1:1

0.5FPCRYXTBASD 圖號 768-XXR-SD  
 DRAWING NO.