

SPECIFICATIONS

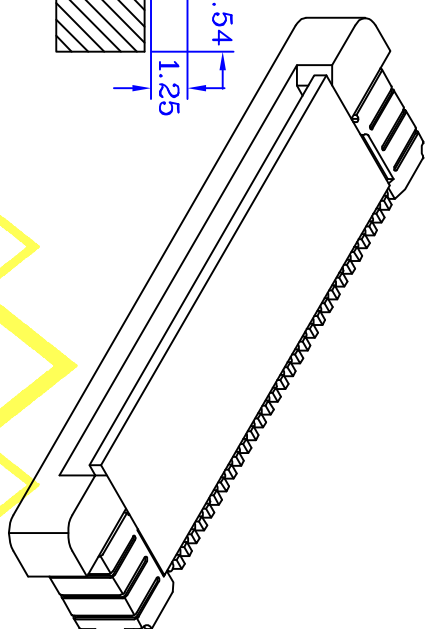
ELECTRICAL

- Contact Current Rating : 0.5 Ampere
- Contact Resistance : 20 mΩ Max
- Insulator Resistance : 500 MΩ Min
- Dielectric Withstanding Voltage : 200 V AC RMS 60 Seconds
- Voltage Rating : 50 V

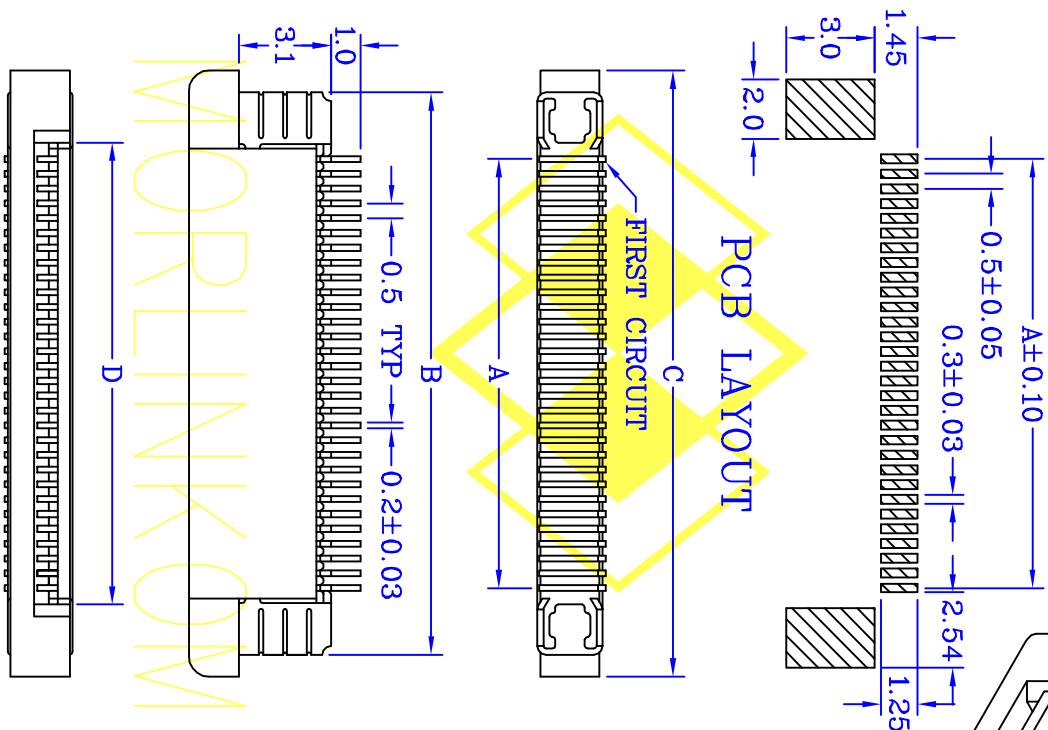
MATERIAL

- Insulator : LCP6807 , Cover : LCP6130
- Contact : Phosphor Bronze

- Plated : Gold Plated , Tin Plated , Selective Plated
- Operation Temperature : - 25°C to + 85°C



PCB LAYOUT



UNIT : mm

CONTACTS	DIMENSIONS				DIMENSIONS				
	A	B	C	D	A	B	C	D	
4	1.50	6.00	7.50	2.62	33	16.00	20.50	22.00	17.12
5	2.00	6.50	8.00	3.12	34	16.50	21.00	22.50	17.62
6	2.50	7.00	8.50	3.62	35	17.00	21.50	23.00	18.12
7	3.00	7.50	9.00	4.12	36	17.50	22.00	23.50	18.62
8	3.50	8.00	9.50	4.62	37	18.00	22.50	24.00	19.12
9	4.00	8.50	10.00	5.12	38	18.50	23.00	24.50	19.62
10	4.50	9.00	10.50	5.62	39	19.00	23.50	25.00	20.12
11	5.00	9.50	11.00	6.12	40	19.50	24.00	25.50	20.62
12	5.50	10.00	11.50	6.62	41	20.00	24.50	26.00	21.12
13	6.00	10.50	12.00	7.12	42	20.50	25.00	26.50	21.62
14	6.50	11.00	12.50	7.62	43	21.00	25.50	27.00	22.12
15	7.00	11.50	13.00	8.12	44	21.50	26.00	27.50	22.62
16	7.50	12.00	13.50	8.62	45	22.00	26.50	28.00	23.12
17	8.00	12.50	14.00	9.12	46	22.50	27.00	28.50	23.62
18	8.50	13.00	14.50	9.62	47	23.00	27.50	29.00	24.12
19	9.00	13.50	15.00	10.12	48	23.50	28.00	29.50	24.62
20	9.50	14.00	15.50	10.62	49	24.00	28.50	30.00	25.12
21	10.00	14.50	16.00	11.12	50	24.50	29.00	30.50	25.62
22	10.50	15.00	16.50	11.62	51	25.00	31.00	30.00	30.00
23	11.00	15.50	17.00	12.12	52	25.50	31.60	26.60	30.50
24	11.50	16.00	17.50	12.62	53	26.00	32.10	27.10	31.00
25	12.00	16.50	18.00	13.12	54	26.50	32.60	27.60	31.50
26	12.50	17.00	18.50	13.62	55	27.00	33.10	28.10	32.00
27	13.00	17.50	19.00	14.12	56	27.50	33.60	28.60	32.50
28	13.50	18.00	19.50	14.62	57	28.00	34.10	29.10	33.00
29	14.00	18.50	20.00	15.12	58	28.50	34.60	29.60	33.50
30	14.50	19.00	20.50	15.62	59	29.00	35.10	30.10	34.00
31	15.00	19.50	21.00	16.12	60	29.50	35.60	30.60	34.50
32	15.50	20.00	21.50	16.62					

CENTRONIC PRECISION ELECTRONIC COMPANY MORLINKOM TECHNOLOGY LTD
 三川精密電子有限公司 魔林科技有限公司
 TEL: 886-2-2686-8788 FAX: 886-2-2686-0018
 E-MAIL: Centron@pts6.seed.net.tw E-MAIL: Cen8888@gmail.com

繪圖 DRAWN BY Wendy
 核對 CHECKED BY WENDY
 日期 DATE 2012/12/25
 比例 SCALE 1:1

0.5FP0RXYTBASU
 圖號 768-XXR-SU
 DRAWING NO.