

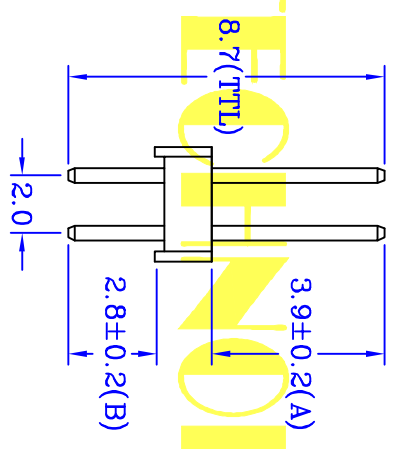
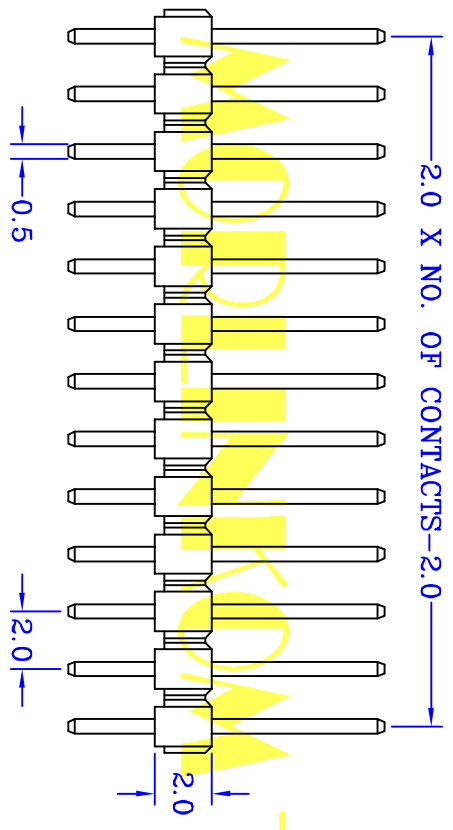
SPECIFICATIONS
ELECTRICAL

- Contact Current Rating : 1 Amperes
- Contact Resistance : 20 mΩ Max
- Insulator Resistance : 1,000 MΩ Min
- Dielectric Withstanding Voltage : 600 V AC RMS 60 Seconds

MATERIAL

- Insulator : PBT UL 94V-0
- Contact : Brass
- Contact Plated : Gold Plated , Tin Plated , Selective Plated

Operation Temperature : - 40°C to + 105°C



A = mm
B = mm
TTL = mm

UNIT : mm

CENTRONIC PRECISION ELECTRONIC COMPANY MORLINKOM TECHNOLOGY LTD
 三川精密電子有限公司 魔林科技有限公司
 TEL:886-2-2686-8788 FAX:886-2-2686-0018
 E-MAIL: Centron@pts6.seed.net.tw E-MAIL: Cen8888@gmail.com

繪圖	DRAWN BY	日期	DATE
核對	CHECKED BY	比例	SCALE
FUFU	WENDY	1:1	

HPHS2XXGB1XX

圖號 **870-XX-XX**
DRAWING NO.